



# 953

## Track Loader

Build Number: 12A

# Technical Specifications

Configurations and features may vary by region. Please consult your Cat® dealer for availability in your area.

### Table of Contents

#### 953 Track Loader

<b>Specifications</b> .....	<b>3</b>
Engine .....	3
Air Conditioning .....	3
Drive System .....	3
Implement System .....	3
Service Refill Capacities .....	3
Drawbar Pull .....	3
Weights and Dimensions .....	4

Buckets and Couplers .....	6
Buckets .....	7
Track .....	9
Ripper .....	9
Standards .....	9
Operating Specifications with Pallet Forks .....	10

#### **Standard and Optional Equipment** ..... 11

#### **953 Environmental Declaration** ..... 14

#### 953 Track Loader – Waste Handler Configuration

<b>Key Features and Benefits</b> .....	<b>15</b>
<b>Specifications</b> .....	<b>16</b>
Engine .....	16
Air Conditioning .....	16
Drive System .....	16
Implement System .....	16
Service Refill Capacities .....	16
Drawbar Pull .....	16
Waste Handler .....	17

Enhanced Cleaning Waste Handler .....	17
Track .....	17
Ripper .....	17
Dimensions .....	18
Buckets .....	19
Waste Handler Features .....	20
Standards .....	21

#### **Standard and Optional Equipment** ..... 22

*(continued on next page)*

# 953 Track Loader Table of Contents

## Table of Contents *(continued)*

### 953 Track Loader – Ship Hold Configuration

<b>Key Features and Benefits</b> .....	<b>25</b>	Weights and Dimensions .....	27
<b>Specifications</b> .....	<b>26</b>	Track .....	27
Engine .....	26	Standards .....	27
Air Conditioning .....	26	Dimensions .....	28
Drive System .....	26	Blades .....	28
Implement System .....	26	Buckets .....	29
Service Refill Capacities .....	26	Operating Specifications with Pallet Forks .....	31
Drawbar Pull .....	26	<b>Standard and Optional Equipment</b> .....	<b>32</b>

### 953 Track Loader – Partial Steel Mill Configuration

<b>Key Features and Benefits</b> .....	<b>35</b>	Service Refill Capacities .....	36
<b>Specifications</b> .....	<b>36</b>	Drawbar Pull .....	36
Engine .....	36	Weights and Dimensions .....	37
Air Conditioning .....	36	Buckets .....	38
Drive System .....	36	Standards .....	38
Implement System .....	36	<b>Standard and Optional Equipment</b> .....	<b>39</b>

# 953 Track Loader Specifications

## Engine

Engine	Cat® C7.1	
Emissions	Meets U.S. EPA Tier 4 Final, EU Stage V, Korea Tier 5, China Nonroad Stage IV, Japan 2014 emission standards or India Bharat Stage III, Eurasian Economic Union Stage IIIA, UN ECE R96 Stage IIIA emission standards, equivalent to U.S. EPA Tier 3/ EU Stage IIIA.	
Net Power (1,800 rpm)		
ISO 9249/SAE J1349	119 kW	160 hp
ISO 9249 (DIN)	162 mhp	
Engine Power (1,800 rpm)		
ISO 14396	129 kW	173 hp
ISO 14396 (DIN)	175 mhp	
Bore	105 mm	4.1 in
Stroke	135 mm	5.3 in
Displacement	7.01 L	427.8 in <sup>3</sup>

- Net power advertised is the power available at the engine flywheel when the engine is equipped with a fan, air cleaner, clean emissions module and alternator.
- Advertised power is tested per the specified standard in effect at the time of manufacture.
- Inline six-cylinder diesel engine with single turbo, charged with ATAAC and engine mounted aftertreatment (when equipped).
- No derating required up to 3000 m (9,842 ft) altitude.
- All Cat nonroad U.S. EPA Tier 4 Final, EU Stage V, Japan 2014, Korea Tier 5, and China Nonroad Stage IV diesel engines are required to use ULSD (ultra-low sulfur diesel with 15 ppm of sulfur or less) or ULSD blended with the following lower-carbon intensity fuels up to:
  - ✓ 20% biodiesel FAME (fatty acid methyl ester)\*
  - ✓ 100% renewable diesel, HVO (hydrogenated vegetable oil) and GTL (gas-to-liquid) fuels
 Refer to guidelines for successful application. Please consult your Cat dealer or “Caterpillar Machine Fluids Recommendations” (SEBU6250) for details.  
*\*Engines with no aftertreatment devices can use higher blends, up to 30% biodiesel.*

## Air Conditioning

The air conditioning system on this machine contains the fluorinated greenhouse gas refrigerant R134a (Global Warming Potential = 1430). The system contains 1.1 kg of refrigerant which has a CO<sub>2</sub> equivalent of 1.573 metric tons.

## Drive System

Description	Electronically controlled Hydrostatic drive with two variable displacement bent axis motors and two variable displacement slipper-type axial piston pumps
Travel Speed	Infinite variable speed from 0 to 10 km/h (0 to 6.2 mph)
Relief Valve Setting	47 500 kPa 6,890 psi

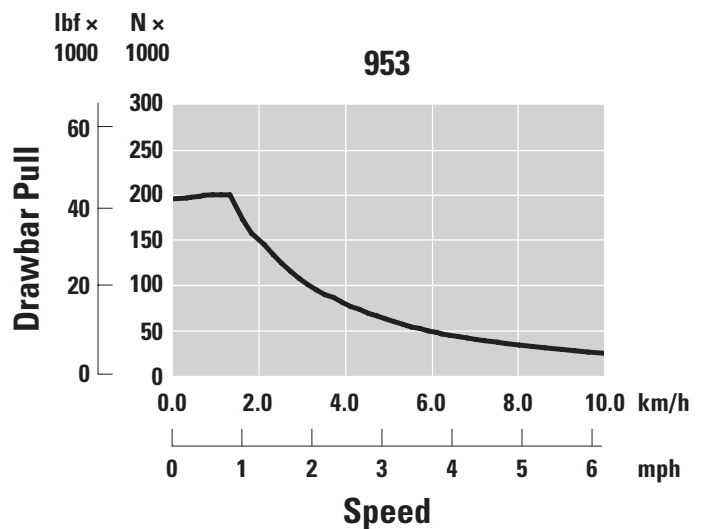
## Implement System

Description	Load sensing, variable displacement piston pump
Maximum Continuous Flow (1,800 rpm)	155 L/min 41 gal/min
Maximum Pressure	28 000 kPa 4,061 psi
Filter System	Implement return filter

## Service Refill Capacities

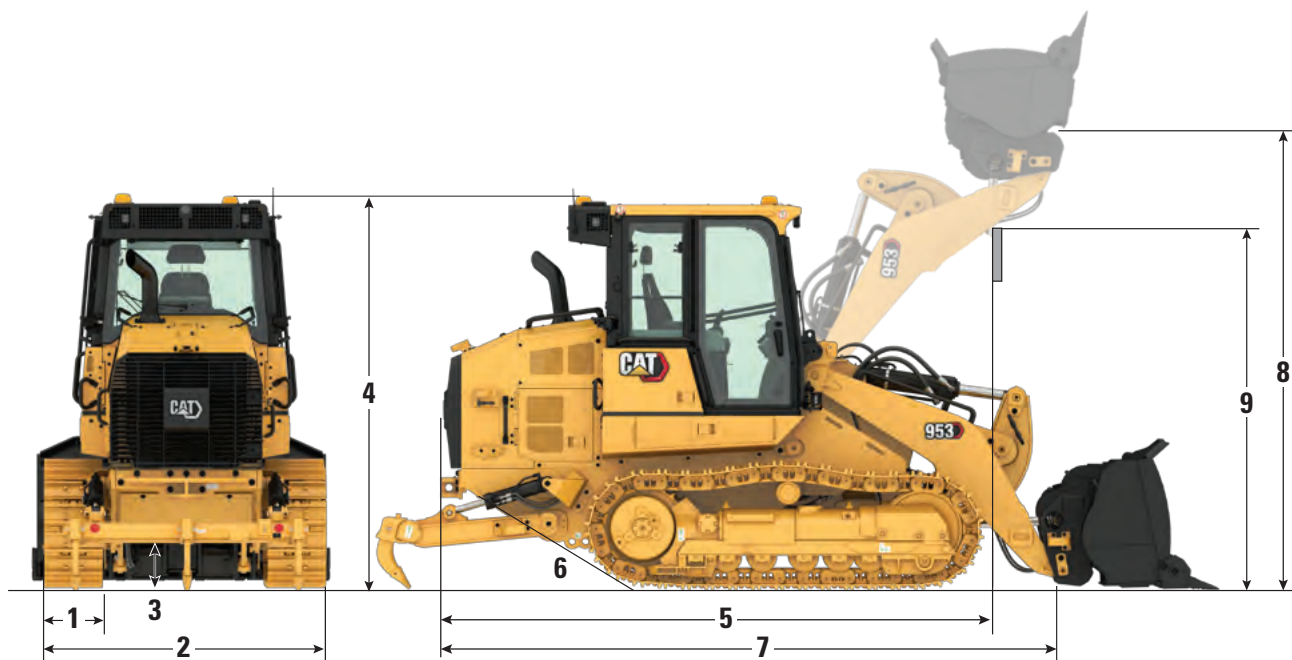
Fuel Tank	265 L	70 gal
Diesel Exhaust Fluid (DEF) Tank (when equipped)	16 L	4.2 gal
Cooling System	32 L	8.5 gal
Crankcase (with filter)	16.5 L	4.5 gal
Final Drives (each)	10.8 L	2.8 gal
Hydraulic Tank	70 L	18.5 gal
Pivot Shaft	0.7 L	0.18 gal

## Drawbar Pull



# 953 Track Loader Specifications

## Weights and Dimensions



	Standard		Low Ground Pressure (LGP)	
Operating Weight <sup>1</sup>	15 958 kg	35,181 lb	17 261 kg	38,055 lb
Shipping Weight <sup>2</sup>	13 317 kg	29,359 lb	14 473 kg	31,907 lb
<b>1 Track Shoe Width:</b>				
Standard <sup>3</sup>	480 mm	19 in	—	—
Wide <sup>3</sup>	—	—	800 mm	31.5 in
Narrow <sup>3</sup>	380 mm	15 in	—	—
Track Rollers – Each Side	6		6	
Number of Shoes – Each Side	37		37	
Track Gauge	1836 mm	72.3 in	2136 mm	84.1 in
Track on Ground	2286 mm	90.0 in	2286 mm	90.0 in
Ground Contact Area – Standard Shoe	2.4 m <sup>2</sup>	3,720 in <sup>2</sup>	3.9 m <sup>2</sup>	6,045 in <sup>2</sup>
Ground Contact Area – Optional Shoe	1.9 m <sup>2</sup>	2,945 in <sup>2</sup>	—	—
Ground Pressure:				
Standard Shoes	66 kPa	10 psi	—	—
Wide Shoes	—	—	43 kPa	6 psi
Narrow Shoes	83 kPa	12 psi	—	—

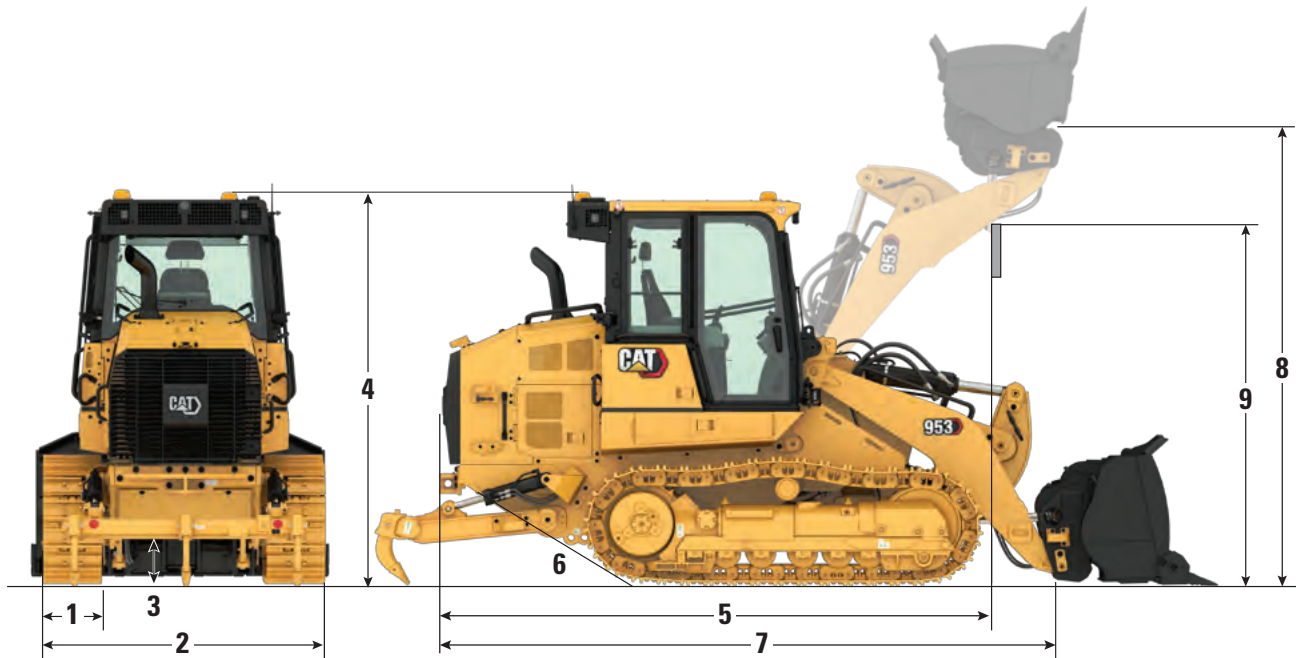
<sup>1</sup>Operating weight: machine with construction package, general purpose bucket with teeth and segments, Heavy Duty Extended Life undercarriage, aftertreatment system, lubricants, 100% fuel tank and 75 kg (165 lb) operator. For machines without aftertreatment, subtract 287 kg (632 lb).

<sup>2</sup>Shipping weight: machine with construction package, general purpose bucket with teeth and segments, Heavy Duty Extended Life undercarriage, aftertreatment system, lubricants, 10% fuel tank. For machines without aftertreatment, subtract 287 kg (632 lb).

<sup>3</sup>Single or double grouser, with or without center holes.

# 953 Track Loader Specifications

## Weights and Dimensions (continued)



### 2 Overall Machine Width (without bucket):

Standard Tracks – 480 mm (20 in) Shoes	2316 mm	91.2 in
Narrow Tracks – 380 mm (15 in) Shoes	2216 mm	87.2 in
LGP Tracks – 800 mm (31.5 in) Shoes	2936 mm	115.6 in

**3** Ground Clearance 413 mm 16.3 in

**4** Machine Height to Top of Cab 3156 mm 124.2 in

**5** Machine Length to Front of Tracks (including rear bumper) 4520 mm 177.9 in

with Ripper, Add 421 mm 16.6 in

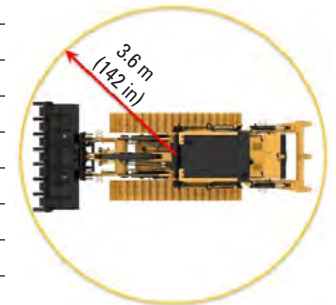
**6** Ramp Angle 29°

**7** Overall Shipping Length (without bucket) 5122 mm 201.6 in

**8** Hinge Pin Height at Maximum Lift 3608 mm 142.1 in

**9** Lift Arm Clearance at Maximum Lift 3003 mm 118.3 in

Turning Radius 3.6 m 141.7 in



Bucket and attachment offerings may vary. Please consult your Cat dealer for availability.

## Buckets and Couplers



### Advansys™ Ground Engaging Tools

Cat track loader buckets come from the factory with Advansys™ bucket tips/adapters/locking system. Advansys tips are built to give you maximum productivity and the lowest bucket lifecycle cost for your toughest applications.

- Cat Advansys offers a hammerless retention system, allowing for safe, fast removal and installation. Plus, the hammerless retention requires no special tools. Just turn the retainer 180° to install or remove the tips.
- Adapter design directs material flow over adapter strap, which can extend adapter service life and bucket lifecycle.
- Cast retention pin means no separate retention pin to buy or lose during tip replacements. The tip loads on the adapter nose, never putting the cast retention lugs under stress or wear.
- Cat Advansys bolt-on adapters are available for customers who want the versatility to switch between cutting edges when applications or environments change.

Got older track loader buckets? Wheel loader buckets? Mixed fleet? Advansys tips bring you added value because they can be adapted to fit any bucket in the industry.

Watch to learn more about easy installation of Advansys tips.

<https://www.youtube.com/watch?app=desktop&v=iiDYN9m3J-Y>

### Cat Fusion™ Coupler

Cat Fusion™ couplers add increased versatility to your Cat loader with undiminished performance. Fusion is a system with a full complement of buckets, material handling arms, forks, and other attachments, equipping you to take on almost any job you can face.

#### Full Performance

- Full machine breakout force is available because the coupler adds zero offset.
- Provides the flexibility of a coupler with zero compromise of performance.
- The coupler sits inside the control arms, keeping the pivot point and load center nearly identical to pin-on tools.

#### Unsurpassed Durability

- Wedge mechanism stays tight even after thousands of cycles, eliminating wear and rattle, providing better tool control and productivity.
- Coupler and attachments last longer, reducing or eliminating repairs and replacement.
- Direct connection between the cylinder and wedge eliminates complex, failure-prone linkages.

#### Unmatched Versatility

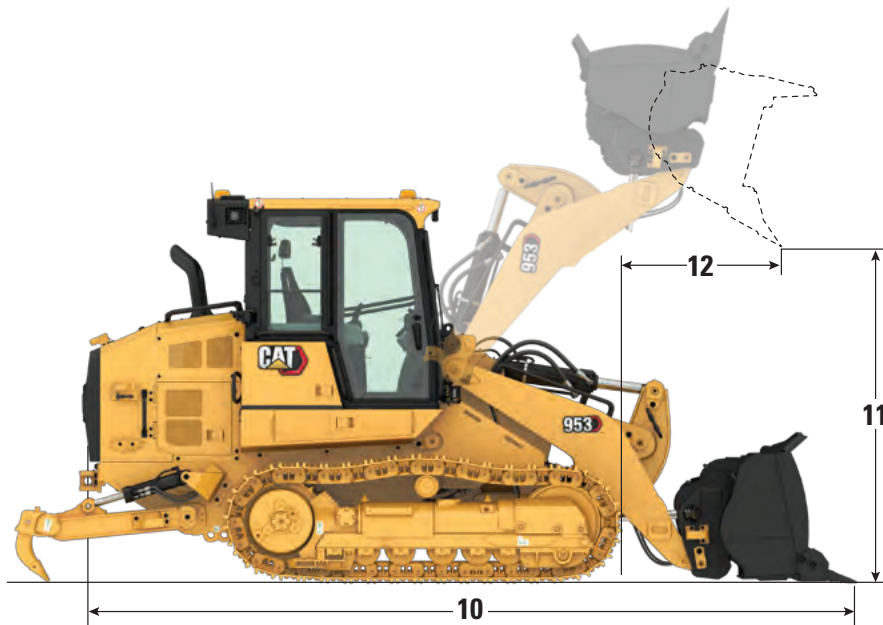
- Operator has full visibility to fork tines, thanks to an open frame design.
- The Fusion system includes:
  - Buckets
  - Blades
  - Rakes
  - ITA and construction forks
  - Material handling arms
- Fusion is a common interface, so multiple machines on your job can share tools as needed

See how quickly you can change attachments with the Fusion coupler on your track loader: [https://www.youtube.com/watch?v=ua7F26\\_k0Uw](https://www.youtube.com/watch?v=ua7F26_k0Uw)



# 953 Track Loader Specifications

## Buckets



### The Right Tool for the Job

All buckets can be used for digging, stump removal, loading, carrying, leveling, etc. Some buckets are more specialized:

Performance Buckets – optimized for loading and carrying

Multi-Purpose (MP) – grabbing material and grading with the clamp open

Flat Floor Buckets – Leveling, loose material handling

For maximum versatility, the Fusion coupler is compatible with a range of buckets, forks, rakes, material handling arm and more. Consult with your Cat dealer for compatibility.

Fusion™ Quick Coupler Buckets	Fusion Buckets	
Cutting Edge Type	Long Teeth & Segments	
Bucket Weight	1490 kg	3,285 lb
Bucket Width	2536 mm	99.8 in
Rated Capacity at 100% Fill Factor <sup>1</sup>	1.8 m <sup>3</sup>	2.4 yd <sup>3</sup>
Rated Operating Capacity <sup>2</sup>	3634 kg	8,012 lb
Static Tipping Load <sup>3</sup>	10 383 kg	22,890 lb
<b>10</b> Overall Machine Length (bucket on the ground)	6469 mm	254.7 in
<b>11</b> Dump Clearance at Maximum Lift and 45° Discharge	2858 mm	112.5 in
<b>12</b> Reach at Maximum Lift and 45° Discharge	1234 mm	48.6 in
Breakout Force	120 671 N	27,128 lbf

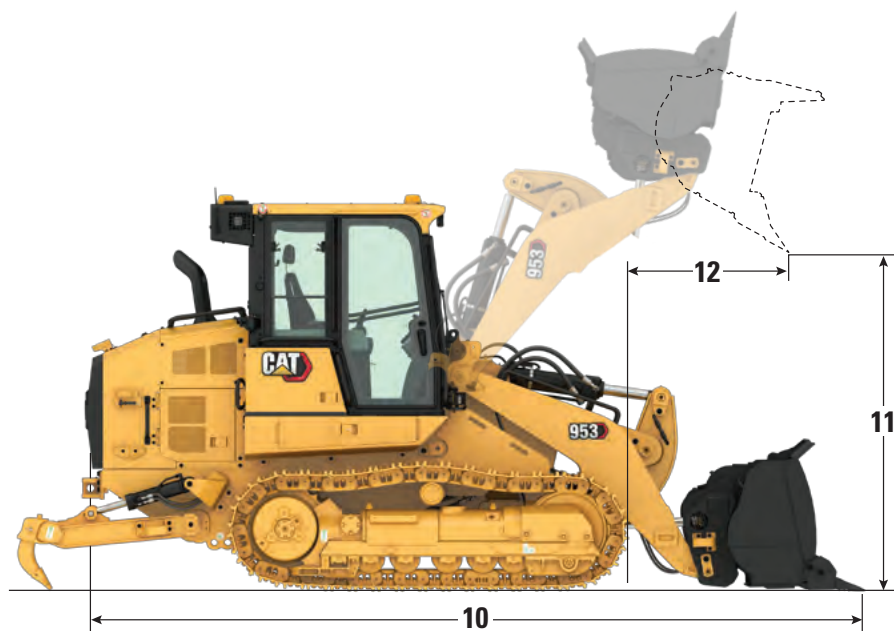
<sup>1</sup>Volumetric bucket capacity as per ISO 7546:1983.

<sup>2</sup>Rated Operating Capacity should be considered with 35% Static Tipping Load as required by ISO 14397-1:2007.

<sup>3</sup>Machine equipped with standard and additional counterweights.

# 953 Track Loader Specifications

## Buckets (continued)



Pin-On Buckets	General Purpose Buckets*		Performance Bucket**	Flat Floor Buckets*		Multi-Purpose Bucket**
	Long Teeth & Segments	Bolt-On Full Edge	Long Teeth & Segments	Welded Flush Adapters, Long Teeth	Wide – Welded Flush Adapters, Long Teeth	Long Teeth & Segments
Bucket Weight	1216 kg (2,681 lb)	1100 kg (2,425 lb)	1419 kg (3,128 lb)	1100 kg (2,425 lb)	1383 kg (3,048 lb)	1809 kg (3,987 lb)
Bucket Width	2485 mm (97.8 in)	2483 mm (97.8 in)	2551 mm (100.4 in)	2446 mm (96.3 in)	3009 mm (118.5 in)	2485 mm (97.8 in)
Rated Capacity at 100% Fill Factor <sup>1</sup>	1.8 m <sup>3</sup> (2.4 yd <sup>3</sup> )	1.8 m <sup>3</sup> (2.4 yd <sup>3</sup> )	2.1 m <sup>3</sup> (2.7 yd <sup>3</sup> )	1.8 m <sup>3</sup> (2.3 yd <sup>3</sup> )	2.2 m <sup>3</sup> (2.9 yd <sup>3</sup> )	1.6 m <sup>3</sup> (2.1 yd <sup>3</sup> )
Rated Capacity at 110% Fill Factor			2.3 m <sup>3</sup> (3.0 yd <sup>3</sup> )			
Rated Operating Capacity <sup>2</sup>	3692 kg (8,139 lb)	3737 kg (8,238 lb)	3871 kg (8,533 lb)	3987 kg (8,789 lb)	4115 kg (9,071 lb)	2828 kg (6,234 lb)
Static Tipping Load	10 548 kg (23,255 lb)	10 676 kg (23,536 lb)	11 059 kg (24,380 lb)	11 391 kg (25,112 lb)	11 756 kg (25,917 lb)	8080 kg (17,812 lb)
<b>10</b> Overall Machine Length (bucket on the ground)	6378 mm (251.1 in)	6176 mm (243.2 in)	6474 mm (254.9 in)	6365 mm (250.6 in)	6396 mm (251.8 in)	6512 mm (256.4 in)
<b>11</b> Dump Clearance at Maximum Lift and 45° Discharge	2838 mm (111.7 in)	2838 mm (111.7 in)	2775 mm (109.3 in)	2914 mm (114.7 in)	2875 mm (113.2 in)	2853 mm (112.3 in)
<b>12</b> Reach at Maximum Lift and 45° Discharge	1053 mm (41.4 in)	1053 mm (41.4 in)	1115 mm (43.9 in)	1000 mm (39.4 in)	1036 mm (40.8 in)	1248 mm (49.1 in)
Breakout Force	141 669 N (31,849 lbf)	142 755 N (32,093 lbf)	126 732 N (28,491 lbf)	159 216 N (35,793 lbf)	147 446 N (33,147 lbf)	121 694 N (27,358 lbf)

\*Machine equipped with no counterweight.

\*\*Machine equipped with standard and additional counterweights.

<sup>1</sup>Volumetric bucket capacity as per ISO 7546:1983.

<sup>2</sup>Rated Operating Capacity should be considered with 35% Static Tipping Load as required by ISO 14397-1:2007.

# 953 Track Loader Specifications

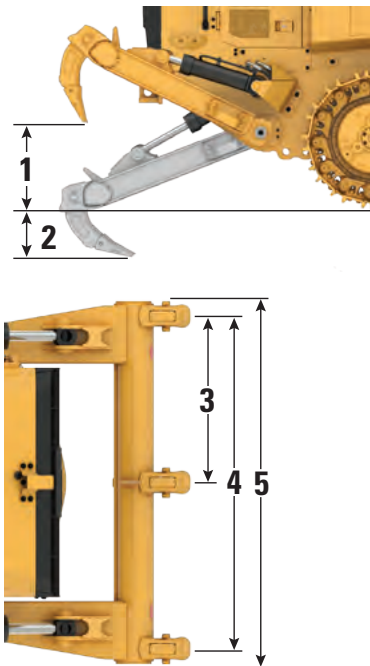
## Track

Track Shoe Width	Grousers	Features
<b>Heavy Duty Extended Life (HDXL)</b>		
380 mm (15 in)	Double	Narrow
480 mm (19 in)	Double	—
480 mm (19 in)	Double	Center Hole
800 mm (31.5 in)	Double	Low Ground Pressure
<b>Cat Abrasion</b>		
480 mm (19 in)	Double	—

## Ripper

Type	Radial	
Weight	592 kg	1,306 lb
<b>1</b> Maximum Clearance Raised (shank tip)	745 mm	29.3 in
<b>2</b> Maximum Penetration	253 mm	9.9 in
<b>3</b> Pocket Spacing	900 mm	35.4 in
<b>4</b> Shank Gauge	1800 mm	70.9 in
<b>5</b> Overall Ripping Width	1955 mm	77 in
Beam Cross Section	203.5 mm × 165 mm	8.0 in × 6.5 in
Maximum Penetration Force	148 kN	33,212 lbf
Maximum Pry Out Force	86 kN	19,363 lbf

Note: Rippers from the 953K model are compatible with the 953.



## Standards

### ROPS/FOPS

- ROPS (Rollover Protective Structure) offered by Caterpillar for the machine meets ROPS criteria ISO 3471:2008.
- FOPS (Falling Object Protective Structure) meets ISO 3449:2005 Level II.

### Brakes

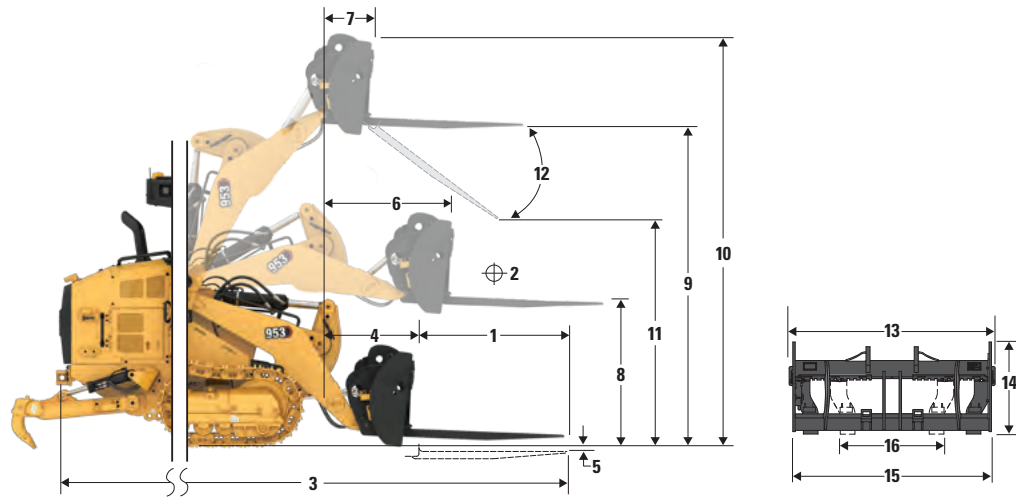
- Brakes meet the standard ISO 10265:2008.

### Sound and Vibration Information

- The declared dynamic operator sound pressure level is 74 dB(A) when “ISO 6396:2008” is used to measure the value for an enclosed cab. The measurements were conducted at 70% of the maximum engine cooling fan speed. The sound level may vary at different engine cooling fan speeds. The cab was properly installed and maintained. The measurements were conducted with the cab doors and the cab windows closed. NOTE: The dynamic operator sound pressure level uncertainty is  $\pm 2$  dB(A).
- Hearing protection may be needed when the machine is operated with an open operator station for extended periods, in a noisy environment or with a cab that is not properly maintained.
- The guaranteed exterior sound power level is 109 dB(A) when the value is measured according to the dynamic test procedures and the conditions that are specified in “ISO 6395:2008.” The measurements were conducted at 70% of the maximum engine cooling fan speed. The sound level may vary at different engine cooling fan speeds.
- Sound level information for machines in European Union countries and in countries that adopt the “EU Directives”: If equipped, the certification label is used to verify the environmental sound certification of the machine to the requirements of the European Union. The value that is listed on the label indicates the guaranteed exterior sound power level ( $L_{WA}$ ) at the time of manufacture for the conditions that are specified in “2000/14/EC.”

# 953 Track Loader Specifications

## Operating Specifications with Pallet Forks



953 Track Loader*	48-in Tines		60-in Tines		72-in Tines		84-in Tines		96-in Tines	
	mm	in	mm	in	mm	in	mm	in	mm	in
<b>1</b> Tine Length	1219	48.0	1524	60.0	1829	72.0	2134	84.0	2438	96.0
<b>2</b> Load Center	609	24.0	762	30.0	914	36.0	1067	42.0	1219	48.0
<b>3</b> Maximum Overall Length	6951	274.0	7256	286.0	7561	298.0	7866	3,107	8170	3,227
<b>4</b> Reach with Forks at Ground Level	1213	48.0	1213	48.0	1213	48.0	1213	48.0	1213	48.0
<b>5</b> Dig Depth	-50	-2	-50	-2	-50	-2	-50	-2	-50	-2
<b>6</b> Reach with Arms Horizontal and Fork Level	1713	67.0	1713	67.0	1713	67.0	1713	67.0	1713	67.0
<b>7</b> Reach with Fork at Maximum Height	930	37.0	930	37.0	930	37.0	930	37.0	930	37.0
<b>8</b> Ground to Top of Tine with Arms Horizontal and Fork Level	1619	64.0	1619	64.0	1619	64.0	1619	64.0	1619	64.0
<b>9</b> Ground to Top of Tine at Maximum Height and Fork Level	3472	137.0	3472	137.0	3472	137.0	3472	137.0	3472	137.0
<b>10</b> Overall Height of Fork at Full Lift (top of carriage to ground)	4513	178.0	4513	178.0	4513	178.0	4513	178.0	4513	178.0
<b>11</b> Clearance at Full Lift and Maximum Dump	2107	83.0	1853	73.0	1598	63.0	1344	53.0	1090	43.0
<b>12</b> Maximum Discharge Angle from Horizontal	-57°		-57°		-57°		-57°		-57°	
<b>13</b> Overall Carriage Width	2528	100.0	2528	100.0	2528	100.0	2528	100.0	2528	100.0
<b>14</b> Overall Carriage Height	1130	45.0	1130	45.0	1130	45.0	1130	45.0	1130	45.0
<b>15</b> Outside Tine Width (maximum spread)	2178	86.0	2178	86.0	2178	86.0	2178	86.0	2178	86.0
<b>16</b> Outside Tine Width (minimum spread)	576	23.0	576	23.0	576	23.0	576	23.0	576	23.0
Tine Width (single tine)	180	7.0	180	7.0	180	7.0	180	7.0	180	7.0
Tine Thickness	90	4.0	90	4.0	90	4.0	90	4.0	90	4.0
	<b>kg</b>	<b>lb</b>	<b>kg</b>	<b>lb</b>	<b>kg</b>	<b>lb</b>	<b>kg</b>	<b>lb</b>	<b>kg</b>	<b>lb</b>
Tine Load Capacity (Per Pair)	22 200	48,943	17 800	39,242	14 800	32,628	12 700	27,999	11 300	24,912
Static Tipping Load Arm Horizontal and Fork Level	9011	19,867	8501	18,741	8017	17,675	7573	16,695	7204	15,883
Static Lifting Capacity Arm Horizontal and Fork Level	11 748	25,900	11 627	25,632	10 867	23,959	9692	21,366	8738	19,264
Rated Load (SAE J1197)**	2285	5,037	2142	4,723	2011	4,434	1889	4,165	1780	3,924

\*Construction configuration with 450 mm (22 in) HDXL tracks, standard counterweight (320 kg/705 lb) and additional counterweight (310 kg/683 lb).

\*\*For crawler loaders, 35% of the tipping load or 100% of the lifting capacity, whichever is less. (SAE J1197:2011, EN-474-3:2010, ISO 14397-1:2007).

## Standard and Optional Equipment

Standard and optional equipment may vary. Consult your Cat dealer for details.

	Standard	Optional		Standard	Optional
<b>POWER TRAIN</b>			<b>ELECTRICAL</b>		
Cat C7.1 diesel engine with engine-mounted aftertreatment to meet U.S. EPA Tier 4 Final, EU Stage V, Korea Tier 5, China Nonroad Stage IV, Japan 2014 emission standards		✓	Ground Level Service Center	✓	
Cat C7.1 diesel engine to meet India Bharat Stage III, Eurasian Economic Union Stage IIIA, UN ECE R96 Stage IIIA emission standards, equivalent to Tier 3/ Stage IIIA		✓	24 volt heavy-duty alternator	✓	
Engine turbocharger	✓		Backup alarm	✓	
Air-To-Air After Cooler (ATAAC)	✓		Two horns	✓	
Modular cooling system for engine air intake, oil and water	✓		Two heavy-duty batteries, high output, maintenance free, 900 CCA	✓	
Hydraulic demand fan – electronically controlled, temperature sensing	✓		Main disconnect switch	✓	
Hydraulic fan, non-reversing	✓		Electric starter (heavy-duty, 24 volt)	✓	
Hydraulic fan, reversing		✓	Extra lighting – two additional LED lights at the bottom of cab facing forward plus 1 underhood light		✓
Electro Hydrostatic Control (EHC) for transmission	✓		LED flashing beacon		✓
Engine idle shutdown	✓		<b>OPERATOR ENVIRONMENT</b>		
Auto engine speed control	✓		Pressurized, sound suppressed, ROPS/ FOPS Cab with tinted glass and right side sliding window	✓	
Electric fuel pump	✓		Cab package with one sliding side window and four halogen lights: two facing forward, roof mounted, two facing rearward, integrated in the air conditioner unit		✓
Water separator	✓		Deluxe cab package with two sliding side windows and eight LED lights: four roof-mounted facing forward, two facing rearward and two facing side integrated in the air conditioner unit		✓
Glow plug starting aid	✓		Deluxe high back seat – heated, with adjustable shock control		✓
Engine air cleaner		✓	Premium Plus high back seat – heated and cooled, lockable side-side isolator		✓
Engine air precleaner		✓	Adjustable armrests	✓	
<b>UNDERCARRIAGE</b>			Electro-Hydraulic, seat mounted control levers with faster processing	✓	
HDXL undercarriage and tracks (37 sections), 1836 mm (72.3 in) track gauge	✓		V-pattern and pedal steering controls		✓
Cat Abrasion™ undercarriage		✓	Joystick steering controls		✓
Oscillating track roller frames	✓		Joystick implement control		✓
Track guiding guards, end section	✓		Two-lever implement control		✓
Hydraulic track adjuster	✓		Seat belt, retractable, with buckling indicator on dash	✓	
Sprocket rims with replaceable bolt-on tough steel segments	✓		Four-point restraint ready seat	✓	
Sprocket guards	✓		Air conditioning and heating	✓	
Six track rollers per side, with one carrier roller, lifetime lubricated	✓		Heater/defroster with automatic temperature control and automatic blower control	✓	
Idlers, conventional type, lifetime lubricated	✓		Cab air powered precleaner		✓
			Rearview mirror, inside, adjustable	✓	

(continued on next page)

# 953 Standard and Optional Equipment

## Standard and Optional Equipment *(continued)*

Standard and optional equipment may vary. Consult your Cat dealer for details.

	Standard	Optional		Standard	Optional
<b>OPERATOR ENVIRONMENT <i>(continued)</i></b>			<b>OTHER STANDARD EQUIPMENT</b>		
24 V radio ready. Includes speakers, antenna and 12 V power outlet and 5 V USB port	✓		Durable metal fender	✓	
Radio – FM Ready Kit		✓	Exterior sound suppression	✓	
Radio – Bluetooth® & Aux & Mic		✓	Load sensing implement pump with variable displacement	✓	
Radio – Bluetooth & Aux & Mic – <b>Dab+</b>		✓	Z-bar loader linkage	✓	
Radio – Bluetooth & Aux & Mic – <b>Sirius</b>		✓	Implement cylinders with sensors	✓	
Parking brake switch and “brake-on” indicator light	✓		Engine enclosure with lockable doors	✓	
Implement lock-out switch	✓		Debris resistant radiator core (six fins-per-inch)	✓	
High Definition rearview camera	✓		Hinged radiator guard and swing out fan	✓	
254 mm (10 in) color touchscreen display with integrated rear camera display and machine slope indicator	✓		4 × 2 easy tie-down points on chassis	✓	
Three selectable working modes (Auto, Power, Eco)	✓		<b>FEATURE PACKAGES</b>		
Operator programmable lift and tilt kickouts	✓		Low Ground Pressure (LGP) Arrangement		✓
Machine Pitch and Roll indicate	✓		Waste Package		✓
Bucket shake	✓		Enhanced Cleaning Waste Package		✓
Remote services (Troubleshoot/Remote Flash)		✓	Ship Hold Package		✓
Heavy-duty rubber floor mat	✓		Partial Steel Mill Package		✓
Windshield washers and wipers, multiple speed, front and rear	✓		<b>GUARDING</b>		
Durable metal roof	✓		Full bottom guards	✓	
Coat hook	✓		Idler guard (none)		✓
Storage compartments under left armrest	✓		Idler guard		✓
Document holder on right console	✓		Idler guard – ship hold		✓
			Front light guard		✓
			Windshield guard		✓
			Track roller guard		✓

*(continued on next page)*

## Standard and Optional Equipment *(continued)*

Standard and optional equipment may vary. Consult your Cat dealer for details.

	Standard	Optional		Standard	Optional
<b>BUCKETS*</b>			<b>MAINTENANCE</b>		
General purpose – 1.8 m <sup>3</sup> (2.4 yd <sup>3</sup> )		✓	Standard lubricant		✓
General purpose with welded flush adapter – 1.7 m <sup>3</sup> (2.2 yd <sup>3</sup> )		✓	Bio lubricant		✓
Heavy-duty general purpose – 1.8 m <sup>3</sup> (2.4 yd <sup>3</sup> )		✓	Ecosafe lubricant (steel mill)		✓
Multi-purpose – 1.6 m <sup>3</sup> (2.1 yd <sup>3</sup> )		✓	Cat extended life coolant	✓	
Heavy-duty multi-purpose Landfill – 2.1 m <sup>3</sup> (2.7 yd <sup>3</sup> )		✓	Service package		✓
General purpose with full bolted cutting edge – 1.8 m <sup>3</sup> (2.4 yd <sup>3</sup> )		✓	Extended service package – manual hydraulic system enabling cab tilt and lock at 30 degrees safely in the field, shovel holder bracket (shovel not included)		✓
Performance general purpose – 2.1 m <sup>3</sup> (2.7 yd <sup>3</sup> )		✓	High speed oil change		✓
Wide flush general purpose – 2.2 m <sup>3</sup> (2.9 yd <sup>3</sup> )		✓	Ecology drains on hydraulic oil tank	✓	
Quick coupler, general purpose – 1.8 m <sup>3</sup> (2.4 yd <sup>3</sup> )		✓	Oil sampling valves	✓	
Heavy-duty landfill bucket – 2.3 m <sup>3</sup> (3.0 yd <sup>3</sup> )		✓	Cat XT™ hoses	✓	
Slag Bucket – 1.6 m <sup>3</sup> (2.1 yd <sup>3</sup> )		✓	HYDO™ Advanced 10	✓	
Note: All buckets (excluding Slag and General Purpose with full bolted cutting edge) feature Advansys Ground Engaging Tools.			Implement oil return filter in hydraulic tank	✓	
<b>HYDRAULICS</b>			<b>REAR ATTACHMENTS</b>		
Two-valve hydraulics, two-lever		✓	Bumper		✓
Two-valve hydraulics, joystick		✓	Ripper		✓
Three-valve hydraulics, front, joystick		✓	No bumper		✓
Three-valve hydraulics, rear, joystick		✓	Ripper hitch		✓
Three-valve hydraulics, rear, two-lever		✓	Striker bars		✓
Four-valve hydraulics, front and rear, joystick		✓	<b>COUNTERWEIGHTS</b>		
Standard hydraulic lines		✓	Light counterweight 240 kg (529 lb)		✓
Quick coupler hydraulic lines		✓	Light counterweight, additional 200 kg (440 lb)		✓
<b>FUEL TANK</b>			<b>OTHER EQUIPMENT</b>		
Fuel tank	✓		Access package		✓
Fast Fill fuel tank		✓	Jacket water heater (110 V) and ether starting aid		✓
Fuel tank refilling pump		✓	Jacket water heater (240 V) and ether starting aid		✓
Sediment hand pump		✓	Fusion Quick Coupler		✓
			<b>TECHNOLOGY PRODUCTS</b>		
			Product Link™ ready	✓	
			Product Link cellular		✓
			Product Link dual (cellular and satellite)		✓
			Cat Payload (available early 2023)		✓
			Grade Control mast		✓

\*Buckets and other work tool attachments from the 953K model, and select buckets and work tool attachments from the 953D model, are compatible with the 953. Bucket and attachment offerings may vary. Please consult your Cat dealer for compatibility information and availability.

# 953 Environmental Declaration

The following information applies to the machine at the time of final manufacture as configured for sale in the regions covered in this document. The content of this declaration is valid as of the date issued; however, content related to machine features and specifications are subject to change without notice. For additional information, please see the machine's Operation and Maintenance Manual.

For more information on sustainability in action and our progress, please visit <https://www.caterpillar.com/en/company/sustainability>.

## Engine

- The Cat® C7.1 engine meets U.S. EPA Tier 4 Final, EU Stage V, Korea Tier 5, China Nonroad Stage IV and Japan 2014 emission standards or India Bharat Stage III, Eurasian Economic Union Stage IIIA, UN ECE R96 Stage IIIA emission standards, equivalent to U.S. EPA Tier 3/EU Stage IIIA.
- Cat diesel engines are required to use ULSD (ultra-low sulfur diesel fuel with 15 ppm of sulfur or less) or ULSD blended with the following lower-carbon intensity fuels up to:
  - ✓ 20% biodiesel FAME (fatty acid methyl ester)\*
  - ✓ 100% renewable diesel, HVO (hydrogenated vegetable oil) and GTL (gas-to-liquid) fuels

Refer to guidelines for successful application. Please consult your Cat dealer or "Caterpillar Machine Fluids Recommendations" (SEBU6250) for details.

*\*Engines with no aftertreatment devices can use higher blends, up to 30% biodiesel.*

## Air Conditioning System

- The air conditioning system on this machine contains the fluorinated greenhouse gas refrigerant R134a (Global Warming Potential = 1430). The system contains 1.1 kg (2.4 lb) of refrigerant which has a CO<sub>2</sub> equivalent of 1.573 metric tonnes (1.733 tons).

## Paint

- Based on best available knowledge, the maximum allowable concentration, measured in parts per million (PPM), of the following heavy metals in paint are:
  - Barium < 0.01%
  - Cadmium < 0.01%
  - Chromium < 0.01%
  - Lead < 0.01%

## Sound Performance

With cooling fan speed at 70% of maximum value:

Operator Sound Pressure Level (ISO 6396:2008) – 74 dB(A)

Exterior Sound Power Level (ISO 6395:2008) – 109 dB(A)

- The sound level may vary at different engine cooling fan speeds. The cab was properly installed and maintained. The measurements were conducted with the cab doors and the cab windows closed. NOTE: The dynamic operator sound pressure level uncertainty is ± 2 dB(A).
- Hearing protection may be needed when operating with an open operator station and cab (when not properly maintained or doors/windows open) for extended periods or in a noisy environment.

## Oils and Fluids

- Caterpillar factory fills with ethylene glycol coolants. Cat Diesel Engine Antifreeze/Coolant (DEAC) and Cat Extended Life Coolant (ELC) can be recycled. Consult your Cat dealer for more information.
- Cat Bio HYDO™ Advanced is an EU Ecolabel approved biodegradable hydraulic oil.
- Additional fluids are likely to be present, please consult the Operations and Maintenance Manual or the Application and Installation guide for complete fluid recommendations and maintenance intervals.

## Features and Technology

- The 953 uses up to 10% less fuel per hour than the 953K. The following features and technology may contribute to fuel savings and/or carbon reduction. Features may vary. Consult your Cat dealer for details.
  - Smart mode matches machine power to digging requirements automatically
  - Eco mode minimizes fuel consumption for light applications
  - Emissions reduction technology (when equipped) works in the background, with no action required from the operator
  - Remotely monitor fuel consumption, machine health, location, and hours on demand through Product Link™ and VisionLink®
  - Hydraulic demand fan reduces speed in cooler conditions to conserve power, save fuel and decrease sound levels
  - Remote Flash and Remote Troubleshoot

# 953

## Track Loader Waste Handler

***A Waste Handler can take on a variety of tasks in a landfill or transfer station. Use it for pushing, shredding and pre-compacting waste. For added versatility, track loaders are also ideal for creating and maintaining access, digging cells and digging/carrying/spreading cover material.***

### **Top Performer**

- 953 uses up to 10% less fuel per hour than the previous model.
- Smoother implement and steering response, and improved steering performance provide more controllability.
- Updated cab offers more comfort and an intuitive 10-inch (254 mm) touchscreen dash display.
- Standard High Definition rearview camera shows prominently in the main display.
- Excellent visibility to the bucket and all around the machine enhances safety and helps operators work more confidently.

### **Waste Handler**

- Specialized guarding and seals help protect the machine and components from impact and airborne debris.
- Final Drive guarding helps prevent wrapping and damage.
- High debris cooling system with reversing demand fan – radiator fan folds out for easy cleanout access.
- Specialized air handling features help deliver cleaner air to the machine.
- Choice of buckets and track shoes allow you to further optimize the machine for greater performance and service life.

### **Enhanced Cleaning Waste Handler**

- Helps reduce your clean-out time while adding ground pressure for more compaction.
- Wide gauge undercarriage equipped with a standard track width allows more space for debris to pass between the track roller frame, tracks and chassis.
- With less debris build-up, you spend less time cleaning.
- Helps reduce damage caused by debris carried on the tracks.
- Heavier waste configuration combined with narrower track shoes increases ground pressure for greater compaction.

# 953 Track Loader – Waste Handler Specifications

## Engine

Engine	Cat® C7.1	
Emissions	Meets U.S. EPA Tier 4 Final, EU Stage V, Korea Tier 5, China Nonroad Stage IV, Japan 2014 emission standards or India Bharat Stage III, Eurasian Economic Union Stage IIIA, UN ECE R96 Stage IIIA emission standards, equivalent to U.S. EPA Tier 3/ EU Stage IIIA.	
Net Power (1,800 rpm)		
ISO 9249/SAE J1349	119 kW	160 hp
ISO 9249 (DIN)	162 mhp	
Engine Power (1,800 rpm)		
ISO 14396	129 kW	173 hp
ISO 14396 (DIN)	175 mhp	
Bore	105 mm	4.1 in
Stroke	135 mm	5.3 in
Displacement	7.01 L	427.8 in <sup>3</sup>

- Net power advertised is the power available at the engine flywheel when the engine is equipped with a fan, air cleaner, clean emissions module and alternator.
- Advertised power is tested per the specified standard in effect at the time of manufacture.
- Inline six-cylinder diesel engine with single turbo, charged with ATAAC and engine mounted aftertreatment (when equipped).
- No derating required up to 3000 m (9,842 ft) altitude.
- All Cat nonroad U.S. EPA Tier 4 Final, EU Stage V, Japan 2014, Korea Tier 5, and China Nonroad Stage IV diesel engines are required to use ULSD (ultra-low sulfur diesel with 15 ppm of sulfur or less) or ULSD blended with the following lower-carbon intensity fuels up to:
  - ✓ 20% biodiesel FAME (fatty acid methyl ester)\*
  - ✓ 100% renewable diesel, HVO (hydrogenated vegetable oil) and GTL (gas-to-liquid) fuels
 Refer to guidelines for successful application. Please consult your Cat dealer or “Caterpillar Machine Fluids Recommendations” (SEBU6250) for details.  
*\*Engines with no aftertreatment devices can use higher blends, up to 30% biodiesel.*

## Air Conditioning

The air conditioning system on this machine contains the fluorinated greenhouse gas refrigerant R134a (Global Warming Potential = 1430). The system contains 1.1 kg of refrigerant which has a CO<sub>2</sub> equivalent of 1.573 metric tons.

## Drive System

Description	Electronically controlled Hydrostatic drive with two variable displacement bent axis motors and two variable displacement slipper-type axial piston pumps
Travel Speed	Infinite variable speed from 0 to 10 km/h (0 to 6.2 mph)
Relief Valve Setting	47 500 kPa 6,890 psi

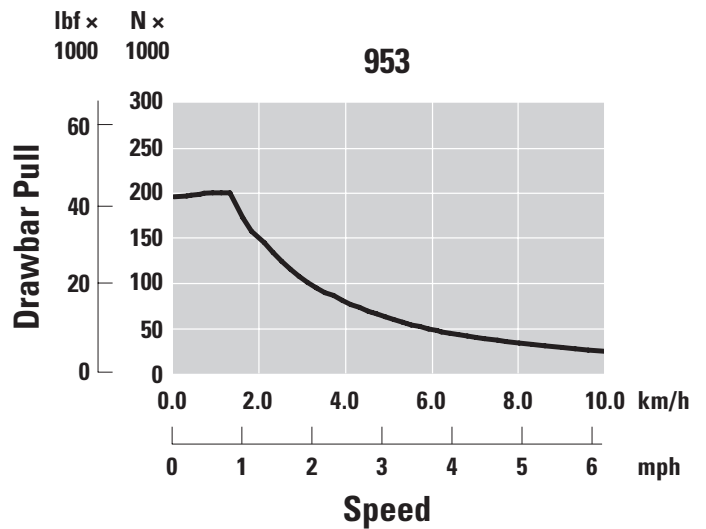
## Implement System

Description	Load sensing, variable displacement piston pump
Maximum Continuous Flow (1,800 rpm)	155 L/min 41 gal/min
Maximum Pressure	28 000 kPa 4,061 psi
Filter System	Implement return filter

## Service Refill Capacities

Fuel Tank	265 L	70 gal
Diesel Exhaust Fluid (DEF) Tank (when equipped)	16 L	4.2 gal
Cooling System	32 L	8.5 gal
Crankcase (with filter)	16.5 L	4.5 gal
Final Drives (each)	10.8 L	2.8 gal
Hydraulic Tank	70 L	18.5 gal
Pivot Shaft	0.7 L	0.18 gal

## Drawbar Pull



# 953 Track Loader – Waste Handler Specifications

## Waste Handler

Operating Weight <sup>1</sup>	16 176 kg	35,662 lb
Shipping Weight <sup>2</sup>	13 269 kg	29,253 lb
Track Shoe Width – Standard <sup>3</sup>	480 mm	20 in
Track Shoe Width – Narrow <sup>3</sup>	380 mm	15 in
Track Rollers – Each Side	6	
Number of Shoes – Each Side	37	
Track on Ground	2286 mm	90 in
Ground Pressure – Standard Shoes	67 kPa	10 psi
Ground Pressure – Narrow Shoes	84 kPa	12.2 psi

## Enhanced Cleaning Waste Handler

Operating Weight <sup>1</sup>	16 602 kg	36,601 lb
Shipping Weight <sup>2</sup>	13 695 kg	30,192 lb
Track Shoe Width – Standard <sup>3</sup>	480 mm	20 in
Track Shoe Width – Narrow <sup>3</sup>	380 mm	15 in
Track Rollers – Each Side	6	
Number of Shoes – Each Side	37	
Track on Ground	2286 mm	90 in
Ground Pressure – Standard Shoes	69 kPa	10 psi
Ground Pressure – Narrow Shoes	86 kPa	12.5 psi

<sup>1</sup>Operating weight: machine with construction package, general purpose landfill bucket with teeth and segments, Heavy Duty Extended Life undercarriage, aftertreatment system, lubricants, 100% fuel tank and 75 kg (165 lb) operator. For machines without aftertreatment, subtract 287 kg (632 lb).

<sup>2</sup>Shipping weight: machine with construction package, general purpose landfill bucket with teeth and segments, Heavy Duty Extended Life undercarriage, aftertreatment system, lubricants, 10% fuel tank. For machines without aftertreatment, subtract 287 kg (632 lb).

<sup>3</sup>Single or double grouser, with or without center holes.

## Track

Track Shoe Width	Grousers	Features
<b>Heavy Duty Extended Life (HDXL)</b>		
380 mm (15 in)	Double	Narrow
480 mm (19 in)	Double	—
480 mm (19 in)	Double	Center Hole

## Ripper

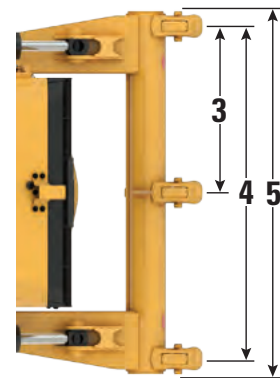
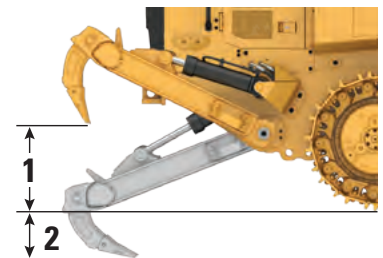
Type	Radial	
Weight	592 kg	1306 lb
<b>1</b> Maximum Clearance Raised (shank tip)	745 mm	29.3 in
<b>2</b> Maximum Penetration	253 mm	9.9 in
<b>3</b> Pocket Spacing	900 mm	35.4 in
<b>4</b> Shank Gauge	1800 mm	70.9 in
<b>5</b> Overall Ripping Width	1955 mm	77 in
Beam Cross Section	203.5 mm × 165 mm	8.0 in × 6.5 in
Maximum Penetration Force	148 kN	33,212 lbf
Maximum Pry Out Force	86 kN	19,363 lbf

Note: Rippers from the 953K model are compatible with the 953.

### Grouser Selection

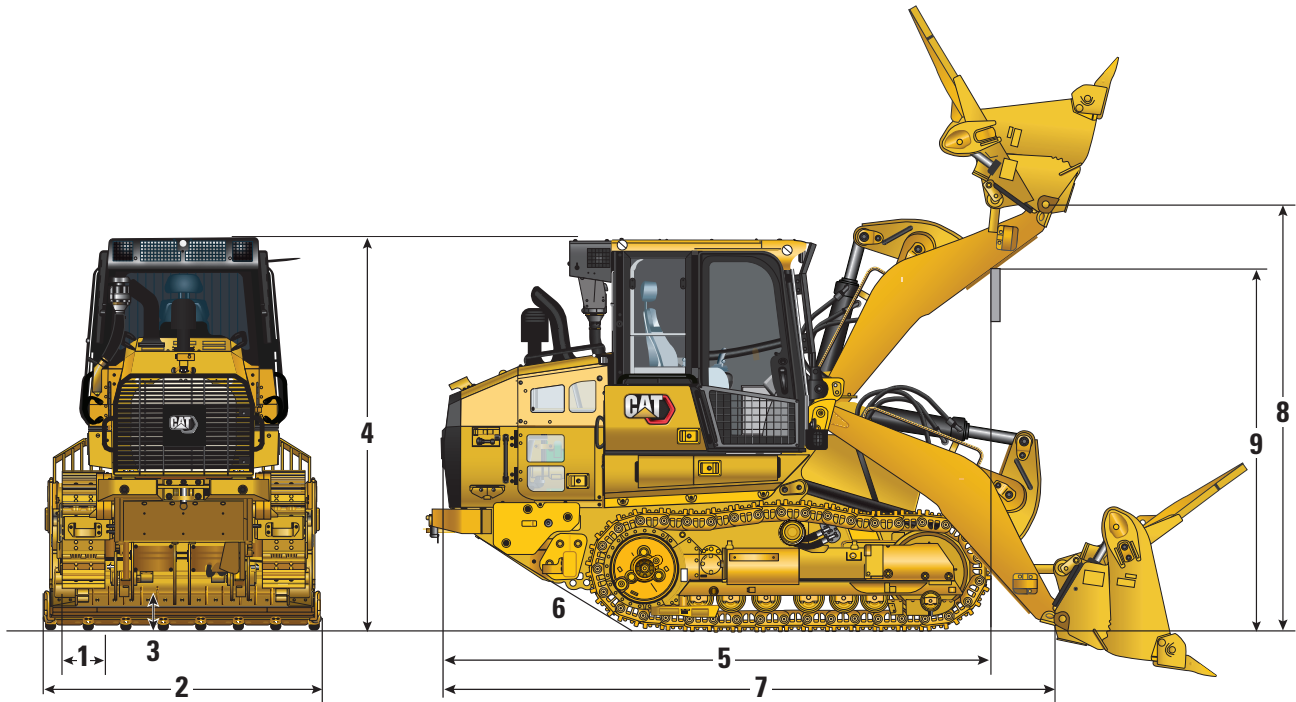
Double Grouser – best balance of traction and maneuverability

Center Holes – Helps reject material, helping to reduce build-up and added track tension.



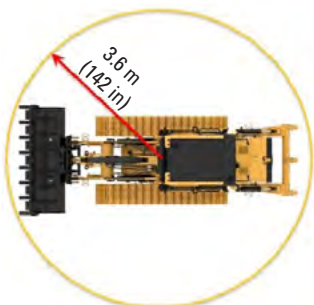
# 953 Track Loader – Waste Handler Specifications

## Dimensions



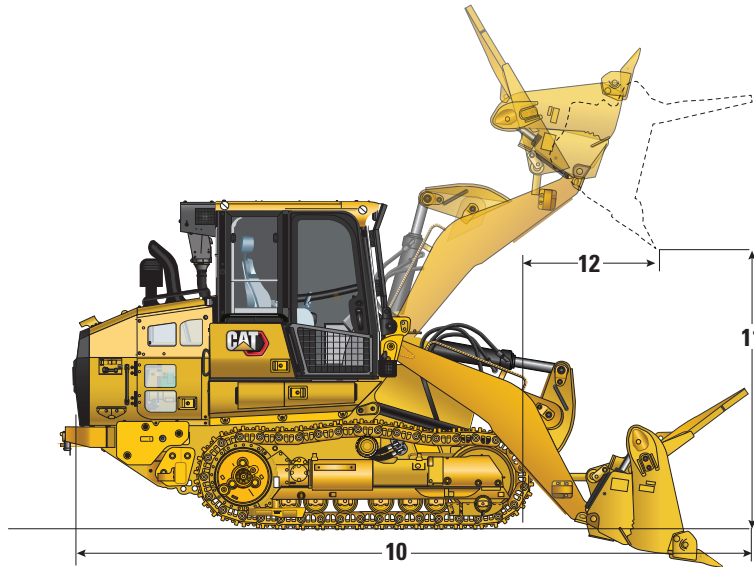
	Waste Handler		Enhanced Cleaning	
<b>1</b> Standard Track Shoe Width	480 mm	20.0 in	480 mm	20.0 in
<b>2</b> Overall Machine Width (without bucket)				
Standard Gauge (480 mm/20.0 in shoes)	2316 mm	91.2 in	2616 mm	103.0 in
<b>3</b> Ground Clearance	413 mm	16.3 in	413 mm	16.3 in
<b>4</b> Machine Height to Top of Cab	3156 mm	124.2 in	3156 mm	124.2 in
<b>5</b> Machine Length to Front of Tracks	4520 mm	177.9 in	4520 mm	177.9 in
with Ripper, Add	421 mm	16.6 in	421 mm	16.6 in
<b>6</b> Ramp Angle	29°		29°	
<b>7</b> Overall Length (without bucket)	5122 mm	201.6 in	5122 mm	201.6 in
<b>8</b> Hinge Pin Height at Maximum Lift	3608 mm	142.1 in	3608 mm	142.1 in
<b>9</b> Lift Arm Clearance at Maximum Lift	3003 mm	118.3 in	3003 mm	118.3 in
Turning Radius	3.6 m	141.7 in	3.6 m	141.7 in

Bucket and attachment offerings may vary. Please consult your Cat dealer for availability.



# 953 Track Loader – Waste Handler Specifications

## Buckets



Pin-On Buckets	General Purpose Bucket*		Landfill Bucket**	Performance Bucket**	Flat Floor Bucket*		Multi-Purpose Bucket**	Multi-Purpose Bucket** Landfill
	Long Teeth & Segments	Bolt-On Full Edge	Long Teeth & Segments	Long Teeth & Segments	Welded Flush Adapters, Long Teeth	Wide – Welded Flush Adapters, Long Teeth	Long Teeth & Segments	Long Teeth & Segments
Bucket Weight	1216 kg (2,681 lb)	1100 kg (2,425 lb)	1472 kg (3,245 lb)	1419 kg (3,128 lb)	1098 kg (2,421 lb)	1382 kg (3,047 lb)	1809 kg (3,987 lb)	2008 kg (4,418 lb)
Bucket Width	2485 mm (97.8 in)	2483 mm (97.8 in)	2484 mm (97.8 in)	2551 mm (100.4 in)	2446 mm (96.0 in)	3009 mm (118 in)	2485 mm (97.8 in)	2484 mm (97.8 in)
Rated Capacity at 100% Fill Factor <sup>1</sup>	1.8 m <sup>3</sup> (2.4 yd <sup>3</sup> )	1.8 m <sup>3</sup> (2.4 yd <sup>3</sup> )	2.3 m <sup>3</sup> (3.0 yd <sup>3</sup> )	2.1 m <sup>3</sup> (2.7 yd <sup>3</sup> )	1.7 m <sup>3</sup> (2.3 yd <sup>3</sup> )	2.2 m <sup>3</sup> (2.9 yd <sup>3</sup> )	1.6 m <sup>3</sup> (2.1 yd <sup>3</sup> )	2.1 m <sup>3</sup> (2.7 yd <sup>3</sup> )
Rated Capacity at 110% Fill Factor				2.3 m <sup>3</sup> (3.0 yd <sup>3</sup> )				
Rated Operating Capacity <sup>2</sup>	3692 kg (8,139 lb)	3737 kg (8,238 lb)	3617 kg (7,974 lb)	3871 kg (8,533 lb)	4672 kg (10,300 lb)	4545 kg (10,020 lb)	2828 kg (6,234 lb)	3295 kg (7,265 lb)
Static Tipping Load	10 548 kg (23,255 lb)	10 676 kg (23,536 lb)	10 335 kg (22,784 lb)	11 059 kg (24,380 lb)	11 360 kg (25,045 lb)	10 999 kg (24,250 lb)	8080 kg (17,812 lb)	8120 kg (17,901 lb)
<b>10</b> Overall Machine Length (bucket on the ground)	6378 mm (251.1 in)	6176 mm (243.2 in)	6378 mm (251.1 in)	6474 mm (254.9 in)	6365 mm (250.6 in)	6396 mm (251.8 in)	6512 mm (256.4 in)	6512 mm (256.4 in)
<b>11</b> Dump Clearance at Maximum Lift and 45° Discharge	2838 mm (111.7 in)	2838 mm (111.7 in)	2838 mm (111.7 in)	2775 mm (109.3 in)	2914 mm (114.7 in)	2875 mm (113.2 in)	2853 mm (112.3 in)	2853 mm (112.3 in)
<b>12</b> Reach at Maximum Lift and 45° Discharge	1053 mm (41.4 in)	1053 mm (41.4 in)	1053 mm (41.4 in)	1115 mm (43.9 in)	1000 mm (39.4 in)	1036 mm (40.8 in)	1248 mm (49.1 in)	1248 mm (49.1 in)
Breakout Force	141 669 N (31,849 lbf)	142 755 N (32,093 lbf)	138 923 N (31,231 lbf)	126 732 N (28,491 lbf)	159 222 N (35,795 lbf)	147 230 N (33,099 lbf)	121 694 N (27,358 lbf)	119 612 N (26,890 lbf)

Note: General construction buckets are compatible with the Waste Handler configuration. Additional buckets and work tool attachments are available. Please consult your Cat dealer for details.

\*Machine equipped with no counterweight.

\*\*Machine equipped with standard and additional counterweights.

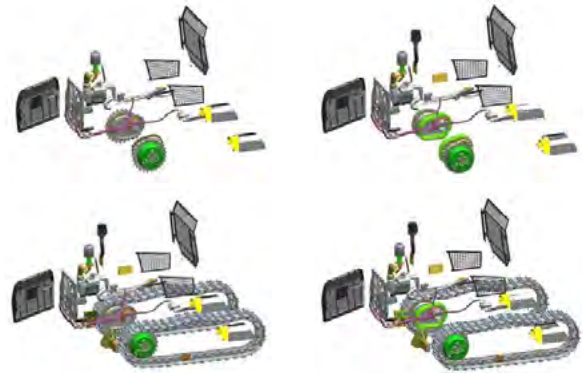
<sup>1</sup>Volumetric bucket capacity as per ISO 7546:1983.

<sup>2</sup>Rated Operating Capacity should be considered with 35% Static Tipping Load as required by ISO 14397-1:2007.

# 953 Track Loader – Waste Handler Specifications

## Waste Handler Features

- ✓ Included
- ★ Recommended
- Compatible



Feature	Waste Handler	Enhanced Cleaning
Windshield Protection	✓	✓
Idler Guard	✓	✓
Final Drive Duo Cone Seal Guard to protect against wire wrapping	✓	✓
Full Length Guard	●	★
Striker Bars	★	★
Programmable Reversing Fan (frequency and duration) with fixed blade pitch and reversed rotation	✓	✓
Dual-Stage Engine Air Pre-Cleaner with Turbine	✓	✓
Cab Air Precleaner With Powered Turbine to eject debris	★	✓
480 mm (19 in) HDXL Tracks with Center Holes	★	★
Ripper	●	●
Light Counterweight	●	●
Additional Counterweight	●	●
Latches on Rear Guard	✓	✓
Quick Coupler Lines	●	●
Additional Lights – two additional LED lights at bottom of cab, underhood light	●	●
Extended Service Package (hydraulic cab tilt and shovel holder)	✓	✓

## Standards

### ROPS/FOPS

- ROPS (Rollover Protective Structure) offered by Caterpillar for the machine meets ROPS criteria ISO 3471:2008.
- FOPS (Falling Object Protective Structure) meets ISO 3449:2005 Level II.

### Brakes

- Brakes meet the standard ISO 10265:2008.

### Sound and Vibration Information

- The declared dynamic operator sound pressure level is 74 dB(A) when “ISO 6396:2008” is used to measure the value for an enclosed cab. The measurements were conducted at 70% of the maximum engine cooling fan speed. The sound level may vary at different engine cooling fan speeds. The cab was properly installed and maintained. The measurements were conducted with the cab doors and the cab windows closed. NOTE: The dynamic operator sound pressure level uncertainty is  $\pm 2$  dB(A).
- Hearing protection may be needed when the machine is operated with an open operator station for extended periods, in a noisy environment or with a cab that is not properly maintained.
- The guaranteed exterior sound power level is 109 dB(A) when the value is measured according to the dynamic test procedures and the conditions that are specified in “ISO 6395:2008.” The measurements were conducted at 70% of the maximum engine cooling fan speed. The sound level may vary at different engine cooling fan speeds.
- Sound level information for machines in European Union countries and in countries that adopt the “EU Directives”: If equipped, the certification label is used to verify the environmental sound certification of the machine to the requirements of the European Union. The value that is listed on the label indicates the guaranteed exterior sound power level ( $L_{WA}$ ) at the time of manufacture for the conditions that are specified in “2000/14/EC.”

# 953 Waste Handler Standard and Optional Equipment

## Standard and Optional Equipment

Standard and optional equipment may vary. Consult your Cat dealer for details.

	Standard	Optional		Standard	Optional
<b>POWER TRAIN</b>			<b>ELECTRICAL</b>		
Cat C7.1 diesel engine with engine-mounted aftertreatment to meet U.S. EPA Tier 4 Final, EU Stage V, Korea Tier 5, China Nonroad Stage IV, Japan 2014 emission standards		✓	Ground Level Service Center	✓	
Cat C7.1 diesel engine to meet India Bharat Stage III, Eurasian Economic Union Stage IIIA, UN ECE R96 Stage IIIA emission standards, equivalent to Tier 3/ Stage IIIA		✓	24 volt heavy-duty alternator	✓	
Engine turbocharger	✓		Backup alarm	✓	
Air-To-Air After Cooler (ATAAC)	✓		Two horns	✓	
Modular cooling system for engine air intake, oil and water	✓		Two heavy-duty batteries, high output, maintenance free, 900 CCA	✓	
Hydraulic demand fan – electronically controlled, temperature sensing	✓		Main disconnect switch	✓	
Hydraulic fan, reversing	✓		Electric starter (heavy-duty, 24 volt)	✓	
Electro Hydrostatic Control (EHC) for transmission	✓		Extra lighting. Two additional LED lights at the bottom of cab facing forward plus one underhood light		✓
Engine idle shutdown	✓		LED flashing beacon		✓
Auto engine speed control	✓		<b>OPERATOR ENVIRONMENT</b>		
Electric fuel pump	✓		Pressurized, sound suppressed, ROPS/ FOPS Cab with tinted glass and right side sliding window	✓	
Water separator	✓		Cab package with one sliding side window and four halogen lights: two facing forward, roof mounted, two facing rearward, integrated in the air conditioner unit		✓
Glow plug starting aid	✓		Deluxe cab package with two sliding side windows and eight LED lights: four roof-mounted facing forward, two facing rearward and two facing side integrated in the air conditioner unit		✓
Engine air cleaner		✓	Deluxe high back seat – heated, with adjustable shock control		✓
Engine air precleaner	✓		Premium Plus high back seat – heated and cooled, lockable side-side isolator		✓
<b>UNDERCARRIAGE</b>			Adjustable armrests	✓	
HDXL undercarriage and tracks (37 sections), 1836 mm (72.3 in) track gauge	✓		Electro Hydraulic, seat mounted control levers with faster processing	✓	
Oscillating track roller frames	✓		V-pattern and pedal steering controls		✓
Track guiding guards, end section	✓		Joystick steering controls		✓
Hydraulic track adjuster	✓		Joystick implement control		✓
Sprocket rims with replaceable bolt-on tough steel segments	✓		Two-lever implement control		✓
Sprocket guards	✓		Seat belt, retractable, with buckling indicator on dash	✓	
Six track rollers per side, with one carrier roller, lifetime lubricated	✓		Four-point restraint ready seat	✓	
Idlers, conventional type, lifetime lubricated	✓		Air conditioning and heating	✓	
			Heater/defroster with automatic temperature control and automatic blower control	✓	
			Cab air powered precleaner		✓
			Rearview mirror, inside, adjustable	✓	

(continued on next page)

# 953 Waste Handler Standard and Optional Equipment

## Standard and Optional Equipment *(continued)*

Standard and optional equipment may vary. Consult your Cat dealer for details.

	Standard	Optional		Standard	Optional
<b>OPERATOR ENVIRONMENT <i>(continued)</i></b>			<b>OTHER STANDARD EQUIPMENT</b>		
Radio ready. Includes speakers, antenna and 12 V power outlet and 5 V USB port	✓		Durable metal fender	✓	
Radio – FM Ready Kit		✓	Exterior sound suppression	✓	
Radio – Bluetooth & Aux & Mic		✓	Load sensing implement pump with variable displacement	✓	
Radio – Bluetooth & Aux & Mic – <b>Dab+</b>		✓	Z-bar loader linkage	✓	
Radio – Bluetooth & Aux & Mic – <b>Sirius</b>		✓	Implement cylinders with sensors	✓	
Parking brake switch and “brake-on” indicator light	✓		Engine enclosure with lockable doors	✓	
Implement lock-out switch	✓		Debris resistant radiator core (six fins-per-inch)	✓	
High Definition rearview camera	✓		Hinged radiator guard with latch and swing out fan	✓	
254 mm (10 in) color touchscreen display with integrated rear camera display and machine slope indicator	✓		4 × 2 easy tie-down points on chassis	✓	
Three selectable working modes (Auto, Power, Eco)	✓		<b>FEATURE PACKAGES</b>		
Operator programmable lift and tilt kickouts	✓		Waste Package		✓
Machine Pitch and Roll indicate	✓		Enhanced Cleaning Waste Package		✓
Bucket shake	✓		<b>GUARDING</b>		
Remote services (Troubleshoot/Remote Flash)		✓	Full bottom guards	✓	
Heavy-duty rubber floor mat	✓		Idler guard (none)		✓
Windshield washers and wipers, multiple speed, front and rear	✓		Idler guard		✓
Durable metal roof	✓		Idler guard – ship hold		✓
Coat hook	✓		Front light guard		✓
Storage compartments under left armrest	✓		Windshield guard		✓
Document holder on right console	✓		Final drive duo cone seal guard	✓	
			Track roller guard		✓

*(continued on next page)*

# 953 Waste Handler Standard and Optional Equipment

## Standard and Optional Equipment *(continued)*

Standard and optional equipment may vary. Consult your Cat dealer for details.

	Standard	Optional		Standard	Optional
<b>BUCKETS*</b>			<b>MAINTENANCE</b>		
General purpose – 1.8 m <sup>3</sup> (2.4 yd <sup>3</sup> )		✓	Standard lubricant		✓
General purpose with welded flush adapter – 1.7 m <sup>3</sup> (2.2 yd <sup>3</sup> )		✓	Bio lubricant		✓
Heavy-duty general purpose – 1.8 m <sup>3</sup> (2.4 yd <sup>3</sup> )		✓	Cat extended life coolant	✓	
Multi-purpose – 1.6 m <sup>3</sup> (2.1 yd <sup>3</sup> )		✓	Service package		✓
Heavy-duty multi-purpose Landfill – 2.1 m <sup>3</sup> (2.7 yd <sup>3</sup> )		✓	Extended service package – manual hydraulic system enabling cab tilt and lock at 30 degrees safely in the field, shovel holder bracket (shovel not included)		✓
General purpose with full bolted cutting edge – 1.8 m <sup>3</sup> (2.4 yd <sup>3</sup> )		✓	High speed oil change		✓
Performance general purpose – 2.1 m <sup>3</sup> (2.7 yd <sup>3</sup> )		✓	Ecology drains on hydraulic oil tank	✓	
Wide flush general purpose – 2.2 m <sup>3</sup> (2.9 yd <sup>3</sup> )		✓	Oil sampling valves	✓	
Heavy-duty landfill bucket – 2.3 m <sup>3</sup> (3.0 yd <sup>3</sup> )		✓	Cat XT hoses	✓	
			HYDO Advanced 10	✓	
Note: All buckets (excluding General Purpose with full bolted cutting edge) feature Advansys Ground Engaging Tools.			Implement oil return filter in hydraulic tank	✓	
<b>HYDRAULICS</b>			<b>REAR ATTACHMENTS</b>		
Two-valve hydraulics, two-lever		✓	Bumper		✓
Two-valve hydraulics, joystick		✓	Ripper		✓
Three-valve hydraulics, front, joystick		✓	No bumper		✓
Three-valve hydraulics, rear, joystick		✓	Ripper hitch		✓
Three-valve hydraulics, rear, two-lever		✓	Striker bars		✓
Four-valve hydraulics, front and rear, joystick		✓	<b>COUNTERWEIGHTS</b>		
Standard hydraulic lines		✓	Light counterweight 240 kg (529 lb)		✓
Quick coupler hydraulic lines		✓	Light counterweight, additional 200 kg (440 lb)		✓
<b>FUEL TANK</b>			<b>OTHER EQUIPMENT</b>		
Fuel tank	✓		Access package		✓
Fast Fill fuel tank		✓	Jacket water heater (110 V)		✓
Fuel tank refilling pump		✓	Jacket water heater (240 V)		✓
Sediment hand pump		✓	Fusion Quick Coupler		✓
			<b>TECHNOLOGY PRODUCTS</b>		
			Product Link ready	✓	
			Product Link cellular		✓
			Product Link dual (cellular and satellite)		✓
			Cat Payload (available early 2023)		✓
			Grade Control mast		✓

\*Buckets and other work tool attachments from the 953K model, and select buckets and work tool attachments from the 953D model, are compatible with the 953. Bucket and attachment offerings may vary. Please consult your Cat dealer for compatibility information and availability.

# 953

## Track Loader Ship Hold

***Traction, balance and agility are among the key characteristics that make track loaders ideal for ship hold work. Add in speed, reach, visibility and capability to use a variety of attachments, and track loaders become the top choice for unloading bulk carriers.***

### **Track Loader Advantages**

- Machine balance
- Maneuverability, especially in tight spaces
- Smooth, responsive controls
- Ability to work on slopes
- Undercarriage provides excellent traction and smooth ride over rough, loose or uneven surfaces
- Low ground pressure
- Excellent visibility, now with rear vision camera
- Quiet, sound suppressed cab
- Adjustable, air suspension seat for operator comfort
- Ease of maintenance and cooling system cleanout
- High reach for scraping down walls or loading
- Attachment versatility

Please consult with your Cat dealer regarding Ship Hold package availability.

### **Ship Hold Features**

- A set of durable lifting eyes designed and validated with ISO 15818 provides fast and safe loading into the hold.
- Widely spaced lifting eyes provide stability during the lift.
- Steps for easy access to the cab from the front and the rear
- Stability during the lift.
- Guarding helps protect the tilt cylinder rod from debris and impact.
- Optional center hole shoes reduce track packing and track chain tightening which extends undercarriage life.

### **Attachment Versatility**

- Trim blade
- General purpose buckets
- Multi-purpose buckets
- Fusion™ Quick Coupler option lets you make fast attachment changes with a wide range of tools like forks, buckets, etc. from wheel loaders and other Fusion compatible machines.

# 953 Track Loader – Ship Hold Specifications

## Engine

Engine	Cat® C7.1	
Emissions	Meets U.S. EPA Tier 4 Final, EU Stage V, Korea Tier 5, China Nonroad Stage IV, Japan 2014 emission standards or India Bharat Stage III, Eurasian Economic Union Stage IIIA, UN ECE R96 Stage IIIA emission standards, equivalent to U.S. EPA Tier 3/ EU Stage IIIA.	
Net Power (1,800 rpm)		
ISO 9249/SAE J1349	119 kW	160 hp
ISO 9249 (DIN)	162 mhp	
Engine Power (1,800 rpm)		
ISO 14396	129 kW	173 hp
ISO 14396 (DIN)	175 mhp	
Bore	105 mm	4.1 in
Stroke	135 mm	5.3 in
Displacement	7.01 L	427.8 in <sup>3</sup>

- Net power advertised is the power available at the engine flywheel when the engine is equipped with a fan, air cleaner, clean emissions module and alternator.
- Advertised power is tested per the specified standard in effect at the time of manufacture.
- Inline six-cylinder diesel engine with single turbo, charged with ATAAC and engine mounted aftertreatment (when equipped).
- No derating required up to 3000 m (9,842 ft) altitude.
- All Cat nonroad U.S. EPA Tier 4 Final, EU Stage V, Japan 2014, Korea Tier 5, and China Nonroad Stage IV diesel engines are required to use ULSD (ultra-low sulfur diesel with 15 ppm of sulfur or less) or ULSD blended with the following lower-carbon intensity fuels up to:
  - ✓ 20% biodiesel FAME (fatty acid methyl ester)\*
  - ✓ 100% renewable diesel, HVO (hydrogenated vegetable oil) and GTL (gas-to-liquid) fuels
 Refer to guidelines for successful application. Please consult your Cat dealer or “Caterpillar Machine Fluids Recommendations” (SEBU6250) for details.
 

*\*Engines with no aftertreatment devices can use higher blends, up to 30% biodiesel.*

## Air Conditioning

The air conditioning system on this machine contains the fluorinated greenhouse gas refrigerant R134a (Global Warming Potential = 1430). The system contains 1.1 kg of refrigerant which has a CO<sub>2</sub> equivalent of 1.573 metric tons.

## Drive System

Description	Electronically controlled Hydrostatic drive with two variable displacement bent axis motors and two variable displacement slipper-type axial piston pumps
Travel Speed	Infinite variable speed from 0 to 10 km/h (0 to 6.2 mph)
Relief Valve Setting	47 500 kPa 6,890 psi

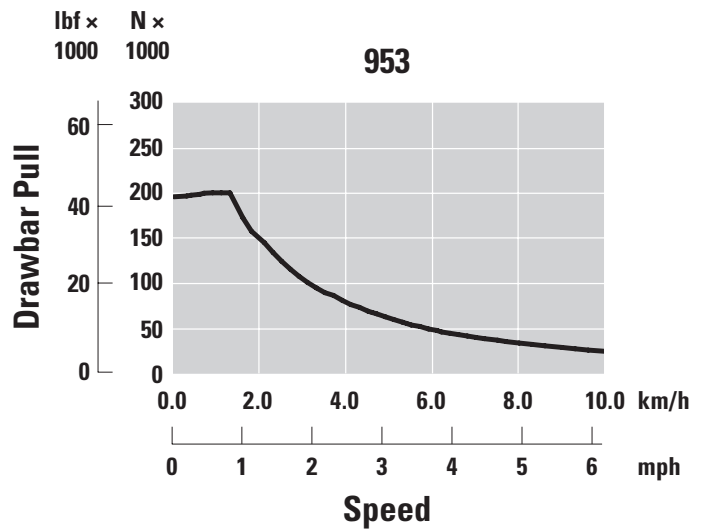
## Implement System

Description	Load sensing, variable displacement piston pump
Maximum Continuous Flow (1,800 rpm)	155 L/min 41 gal/min
Maximum Pressure	28 000 kPa 4,061 psi
Filter System	Implement return filter

## Service Refill Capacities

Fuel Tank	265 L	70 gal
Diesel Exhaust Fluid (DEF) Tank (when equipped)	16 L	4.2 gal
Cooling System	32 L	8.5 gal
Crankcase (with filter)	16.5 L	4.5 gal
Final Drives (each)	10.8 L	2.8 gal
Hydraulic Tank	70 L	18.5 gal
Pivot Shaft	0.7 L	0.18 gal

## Drawbar Pull



# 953 Track Loader – Ship Hold Specifications

## Weights and Dimensions

	Ship Hold	
Operating Weight <sup>1</sup>	16 819 kg	37,079 lb
Shipping Weight <sup>2</sup>	13 488 kg	29,736 lb
Track Shoe Width – Standard <sup>3</sup>	480 mm	20.0 in
Track Shoe Width – Narrow <sup>3</sup>	380 mm	15.0 in
Track Rollers – Each Side	6	
Number of Shoes – Each Side	37	
Track on Ground	2286 mm	90.0 in
Ground Pressure – Standard Shoes	70 kPa	10 psi
Ground Pressure – Narrow Shoes	87 kPa	13 psi

<sup>1</sup>Operating weight: machine with construction package, trim blade, Heavy Duty Extended Life undercarriage, aftertreatment system, lubricants, 100% fuel tank and 75 kg (165 lb) operator. For machines without aftertreatment, subtract 287 kg (632 lb).

<sup>2</sup>Shipping weight: machine with construction package, trim blade, Heavy Duty Extended Life undercarriage, aftertreatment system, lubricants, 10% fuel tank. For machines without aftertreatment, subtract 287 kg (632 lb).

<sup>3</sup>Single or double grouser, with or without center holes.

## Track

Track Shoe Width	Grousers	Features
<b>Heavy Duty Extended Life (HDXL)</b>		
380 mm (15 in)	Double	Narrow
480 mm (19 in)	Double	—
480 mm (19 in)	Double	Center Hole

## Standards

### ROPS/FOPS

- ROPS (Rollover Protective Structure) offered by Caterpillar for the machine meets ROPS criteria ISO 3471:2008.
- FOPS (Falling Object Protective Structure) meets ISO 3449:2005 Level II.

### Brakes

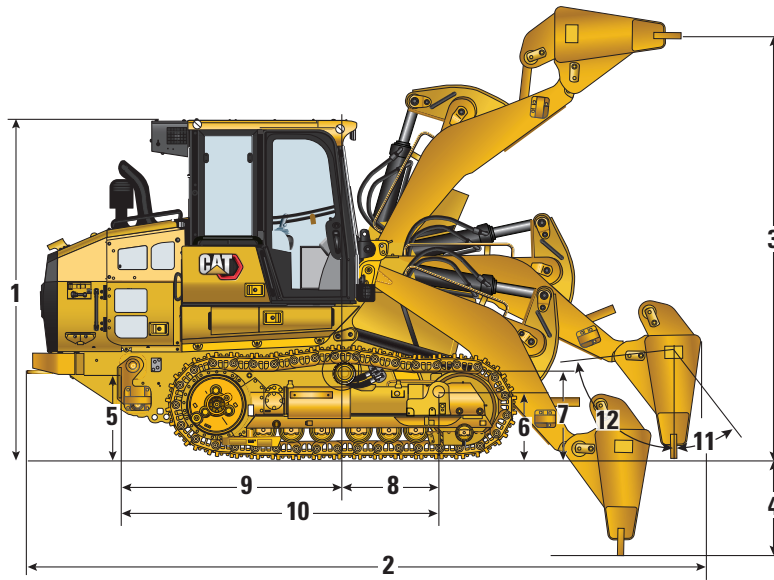
- Brakes meet the standard ISO 10265:2008.

### Sound and Vibration Information

- The declared dynamic operator sound pressure level is 74 dB(A) when “ISO 6396:2008” is used to measure the value for an enclosed cab. The measurements were conducted at 70% of the maximum engine cooling fan speed. The sound level may vary at different engine cooling fan speeds. The cab was properly installed and maintained. The measurements were conducted with the cab doors and the cab windows closed. NOTE: The dynamic operator sound pressure level uncertainty is  $\pm 2$  dB(A).
- Hearing protection may be needed when the machine is operated with an open operator station for extended periods, in a noisy environment or with a cab that is not properly maintained.
- The guaranteed exterior sound power level is 109 dB(A) when the value is measured according to the dynamic test procedures and the conditions that are specified in “ISO 6395:2008.” The measurements were conducted at 70% of the maximum engine cooling fan speed. The sound level may vary at different engine cooling fan speeds.
- Sound level information for machines in European Union countries and in countries that adopt the “EU Directives”: If equipped, the certification label is used to verify the environmental sound certification of the machine to the requirements of the European Union. The value that is listed on the label indicates the guaranteed exterior sound power level ( $L_{WA}$ ) at the time of manufacture for the conditions that are specified in “2000/14/EC.”

# 953 Track Loader – Ship Hold Specifications

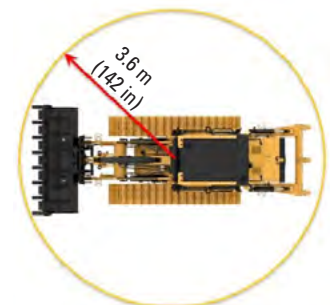
## Dimensions



Dimensions (with Hitch)	Pin-On Blade	
1 Overall Height	3156 mm	124.2 in
2 Overall Length	6167 mm	242.8 in
3 Work Tool Cutting Edge Height Fully Raised	4013 mm	158.0 in
4 Digging Depth – Fully Tilted Fully Retracted	843 mm	33.2 in
4 Digging Depth – Blade Vertical	903 mm	35.5 in
Overall Width – with 380 mm (15 in) shoes	2216 mm	87.2 in
Overall Width – with 480 mm (20 in) shoes	2316 mm	91.2 in
Blade Width	3150 mm	124.0 in
5 Rear Lifting Eye Height	765 mm	30.1 in
6 Front Lifting Eye Height	595 mm	23.4 in
Center of Gravity Dimensions		
7 Center of Gravity Height	732 mm	28.8 in
8 Center of Gravity to Front Eye	782 mm	30.8 in
9 Center of Gravity to Rear Eye	2143 mm	84.4 in
10 Distance from Rear to Front Lifting Eyes	2924 mm	115.1 in
11 Trim Blade Pitch – Forward		83°
12 Trim Blade Pitch – Rearward		32°
Turning Radius	3.97 m	156.4 in

## Blades

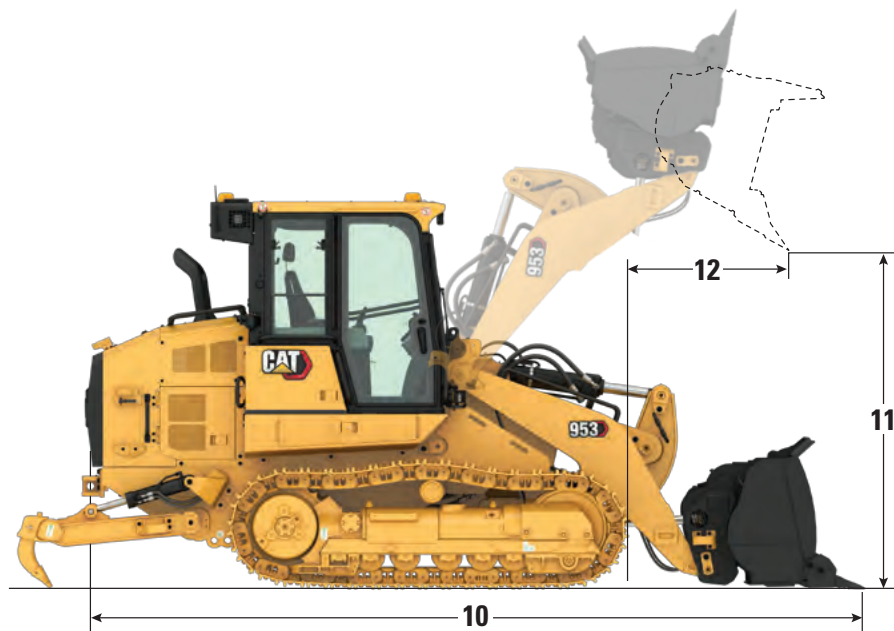
Trim Blades	Pin-On Blade	
Blade Weight	1906 kg	4,202 lb
Blade Width	3150 mm	124.0 in
Blade Height	1154 mm	45.4 in
Blade Surface	3.64 m <sup>2</sup>	39.1 ft <sup>2</sup>



# 953 Track Loader – Ship Hold Specifications

## Buckets

Bucket and attachment offerings may vary. Please consult your Cat dealer for availability.



Pin-On Buckets	General Purpose Buckets*		Performance Bucket**	Flat Floor Buckets*		Multi-Purpose Bucket**
	Long Teeth & Segments	Bolt-On Full Edge	Long Teeth & Segments	Welded Flush Adapters, Long Teeth	Wide – Welded Flush Adapters, Long Teeth	Long Teeth & Segments
Bucket Weight	1216 kg (2,681 lb)	1100 kg (2,425 lb)	1419 kg (3,128 lb)	1100 kg (2,425 lb)	1383 kg (3,048 lb)	1809 kg (3,987 lb)
Bucket Width	2485 mm (97.8 in)	2483 mm (97.8 in)	2551 mm (100.4 in)	2446 mm (96.3 in)	3009 mm (118.5 in)	2485 mm (97.8 in)
Rated Capacity at 100% Fill Factor <sup>1</sup>	1.8 m <sup>3</sup> (2.4 yd <sup>3</sup> )	1.8 m <sup>3</sup> (2.4 yd <sup>3</sup> )	2.1 m <sup>3</sup> (2.7 yd <sup>3</sup> )	1.8 m <sup>3</sup> (2.3 yd <sup>3</sup> )	2.2 m <sup>3</sup> (2.9 yd <sup>3</sup> )	1.6 m <sup>3</sup> (2.1 yd <sup>3</sup> )
Rated Capacity at 110% Fill Factor			2.3 m <sup>3</sup> (3.0 yd <sup>3</sup> )			
Rated Operating Capacity <sup>2</sup>	3692 kg (8,139 lb)	3737 kg (8,238 lb)	3871 kg (8,533 lb)	3987 kg (8,789 lb)	4115 kg (9,071 lb)	2828 kg (6,234 lb)
Static Tipping Load	10 548 kg (23,255 lb)	10 676 kg (23,536 lb)	11 059 kg (24,380 lb)	11 391 kg (25,112 lb)	11 756 kg (25,917 lb)	8080 kg (17,812 lb)
<b>10</b> Overall Machine Length (bucket on the ground)	6378 mm (251.1 in)	6176 mm (243.2 in)	6474 mm (254.9 in)	6365 mm (250.6 in)	6396 mm (251.8 in)	6512 mm (256.4 in)
<b>11</b> Dump Clearance at Maximum Lift and 45° Discharge	2838 mm (111.7 in)	2838 mm (111.7 in)	2775 mm (109.3 in)	2914 mm (114.7 in)	2875 mm (113.2 in)	2853 mm (112.3 in)
<b>12</b> Reach at Maximum Lift and 45° Discharge	1053 mm (41.4 in)	1053 mm (41.4 in)	1115 mm (43.9 in)	1000 mm (39.4 in)	1036 mm (40.8 in)	1248 mm (49.1 in)
Breakout Force	141 669 N (31,849 lbf)	142 755 N (32,093 lbf)	126 732 N (28,491 lbf)	159 216 N (35,793 lbf)	147 446 N (33,147 lbf)	121 694 N (27,358 lbf)

\*Machine equipped with no counterweight.

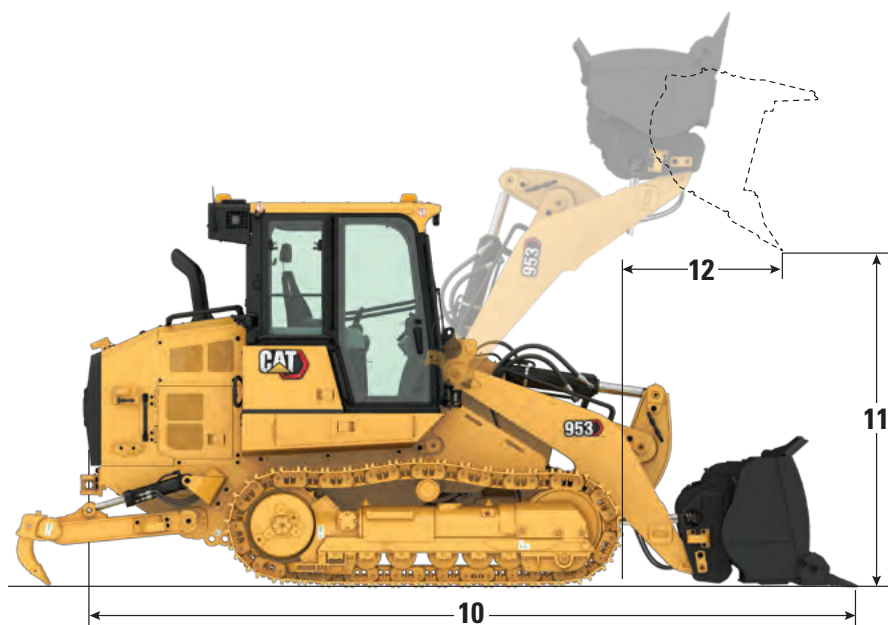
\*\*Machine equipped with standard and additional counterweights.

<sup>1</sup>Volumetric bucket capacity as per ISO 7546:1983.

<sup>2</sup>Rated Operating Capacity should be considered with 35% Static Tipping Load as required by ISO 14397-1:2007.

# 953 Track Loader – Ship Hold Specifications

## Buckets (continued)



### The Right Tool for the Job

All buckets can be used for digging, stump removal, loading, carrying, leveling, etc. Some buckets are more specialized:

Performance Buckets – optimized for loading and carrying

Multi-Purpose (MP) – grabbing material and grading with the clamp open

Flat Floor Buckets – Leveling, loose material handling

For maximum versatility, the Fusion coupler is compatible with a range of buckets, forks, rakes, material handling arm and more. Consult with your Cat dealer for compatibility.

Fusion™ Quick Coupler Buckets	Fusion Buckets	
Cutting Edge Type	Long Teeth & Segments	
Bucket Weight	1490 kg	3,285 lb
Bucket Width	2536 mm	99.8 in
Rated Capacity at 100% Fill Factor <sup>1</sup>	1.8 m <sup>3</sup>	2.4 yd <sup>3</sup>
Rated Operating Capacity <sup>2</sup>	3634 kg	8,012 lb
Static Tipping Load <sup>3</sup>	10 383 kg	22,890 lb
<b>10</b> Overall Machine Length (bucket on the ground)	6469 mm	254.7 in
<b>11</b> Dump Clearance at Maximum Lift and 45° Discharge	2858 mm	112.5 in
<b>12</b> Reach at Maximum Lift and 45° Discharge	1234 mm	48.6 in
Breakout Force	120 671 N	27,128 lbf

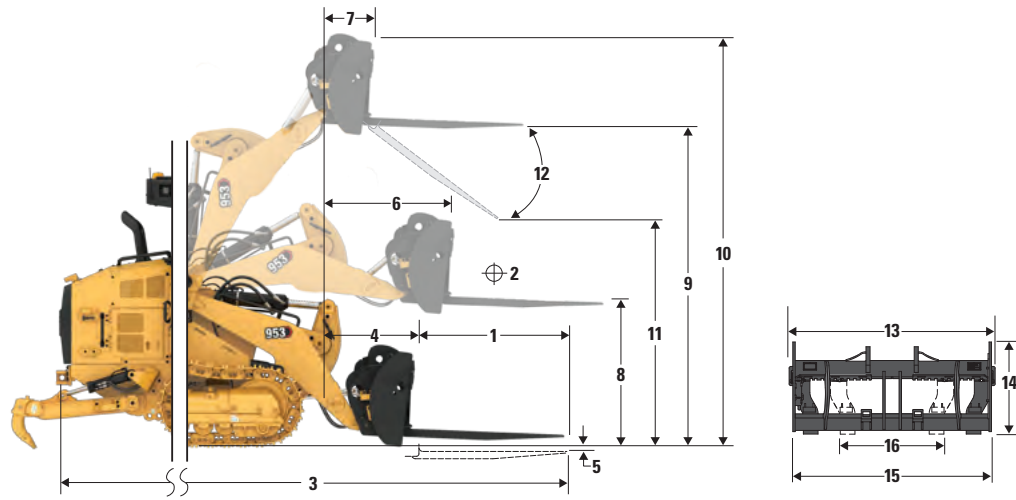
<sup>1</sup>Volumetric bucket capacity as per ISO 7546:1983.

<sup>2</sup>Rated Operating Capacity should be considered with 35% Static Tipping Load as required by ISO 14397-1:2007.

<sup>3</sup>Machine equipped with standard and additional counterweights.

# 953 Track Loader – Ship Hold Specifications

## Operating Specifications with Pallet Forks



953 Track Loader*	48-in Tines		60-in Tines		72-in Tines		84-in Tines		96-in Tines	
	mm	in	mm	in	mm	in	mm	in	mm	in
<b>1</b> Tine Length	1219	48.0	1524	60.0	1829	72.0	2134	84.0	2438	96.0
<b>2</b> Load Center	609	24.0	762	30.0	914	36.0	1067	42.0	1219	48.0
<b>3</b> Maximum Overall Length	6951	274.0	7256	286.0	7561	298.0	7866	3,107	8170	3,227
<b>4</b> Reach with Forks at Ground Level	1213	48.0	1213	48.0	1213	48.0	1213	48.0	1213	48.0
<b>5</b> Dig Depth	-50	-2	-50	-2	-50	-2	-50	-2	-50	-2
<b>6</b> Reach with Arms Horizontal and Fork Level	1713	67.0	1713	67.0	1713	67.0	1713	67.0	1713	67.0
<b>7</b> Reach with Fork at Maximum Height	930	37.0	930	37.0	930	37.0	930	37.0	930	37.0
<b>8</b> Ground to Top of Tine with Arms Horizontal and Fork Level	1619	64.0	1619	64.0	1619	64.0	1619	64.0	1619	64.0
<b>9</b> Ground to Top of Tine at Maximum Height and Fork Level	3472	137.0	3472	137.0	3472	137.0	3472	137.0	3472	137.0
<b>10</b> Overall Height of Fork at Full Lift (top of carriage to ground)	4513	178.0	4513	178.0	4513	178.0	4513	178.0	4513	178.0
<b>11</b> Clearance at Full Lift and Maximum Dump	2107	83.0	1853	73.0	1598	63.0	1344	53.0	1090	43.0
<b>12</b> Maximum Discharge Angle from Horizontal	-57°		-57°		-57°		-57°		-57°	
<b>13</b> Overall Carriage Width	2528	100.0	2528	100.0	2528	100.0	2528	100.0	2528	100.0
<b>14</b> Overall Carriage Height	1130	45.0	1130	45.0	1130	45.0	1130	45.0	1130	45.0
<b>15</b> Outside Tine Width (maximum spread)	2178	86.0	2178	86.0	2178	86.0	2178	86.0	2178	86.0
<b>16</b> Outside Tine Width (minimum spread)	576	23.0	576	23.0	576	23.0	576	23.0	576	23.0
Tine Width (single tine)	180	7.0	180	7.0	180	7.0	180	7.0	180	7.0
Tine Thickness	90	4.0	90	4.0	90	4.0	90	4.0	90	4.0
	<b>kg</b>	<b>lb</b>	<b>kg</b>	<b>lb</b>	<b>kg</b>	<b>lb</b>	<b>kg</b>	<b>lb</b>	<b>kg</b>	<b>lb</b>
Tine Load Capacity (Per Pair)	22 200	48,943	17 800	39,242	14 800	32,628	12 700	27,999	11 300	24,912
Static Tipping Load Arm Horizontal and Fork Level	9011	19,867	8501	18,741	8017	17,675	7573	16,695	7204	15,883
Static Lifting Capacity Arm Horizontal and Fork Level	11 748	25,900	11 627	25,632	10 867	23,959	9692	21,366	8738	19,264
Rated Load (SAE J1197)**	2285	5,037	2142	4,723	2011	4,434	1889	4,165	1780	3,924

\*Construction configuration with 450 mm (22 in) HDXL tracks, standard counterweight (320 kg/705 lb) and additional counterweight (310 kg/683 lb).

\*\*For crawler loaders, 35% of the tipping load or 100% of the lifting capacity, whichever is less. (SAE J1197:2011, EN-474-3:2010, ISO 14397-1:2007).

# 953 Ship Hold Standard and Optional Equipment

## Standard and Optional Equipment

Standard and optional equipment may vary. Consult your Cat dealer for details.

	Standard	Optional		Standard	Optional
<b>POWER TRAIN</b>			<b>ELECTRICAL</b>		
Cat C7.1 diesel engine with engine-mounted aftertreatment to meet U.S. EPA Tier 4 Final, EU Stage V, Korea Tier 5, China Nonroad Stage IV, Japan 2014 emission standards		✓	Ground Level Service Center	✓	
Cat C7.1 diesel engine to meet India Bharat Stage III, Eurasian Economic Union Stage IIIA, UN ECE R96 Stage IIIA emission standards, equivalent to Tier 3/ Stage IIIA		✓	24 volt heavy-duty alternator	✓	
Engine turbocharger	✓		Backup alarm	✓	
Air-To-Air After Cooler (ATAAC)	✓		Two horns	✓	
Modular cooling system for engine air intake, oil and water	✓		Two heavy-duty batteries, high output, maintenance free, 1,120 CCA	✓	
Hydraulic demand fan – electronically controlled, temperature sensing	✓		Main disconnect switch	✓	
Hydraulic fan, reversing	✓		Electric starter (heavy-duty, 24 volt)	✓	
Electro Hydrostatic Control (EHC) for transmission	✓		Extra lighting – two additional LED lights at the bottom of cab facing forward plus one underhood light		✓
Engine idle shutdown	✓		LED flashing beacon		✓
Auto engine speed control	✓		<b>OPERATOR ENVIRONMENT</b>		
Electric fuel pump	✓		Pressurized, sound suppressed, ROPS/ FOPS Cab with tinted glass and right side sliding window	✓	
Water separator	✓		Deluxe cab package with two sliding side windows and eight LED lights: four roof-mounted facing forward, two facing rearward and two facing side integrated in the air conditioner unit	✓	
Glow plug starting aid	✓		Deluxe high back seat – heated, with adjustable shock control		✓
Engine air cleaner		✓	Premium Plus high back seat – heated and cooled, lockable side-side isolator		✓
Engine air precleaner		✓	Adjustable armrests	✓	
<b>UNDERCARRIAGE</b>			Electro Hydraulic, seat mounted control levers with faster processing	✓	
HDXL undercarriage and tracks (38 sections), 1850 mm (72.8 in) track gauge	✓		V-pattern and pedal steering controls		✓
Oscillating track roller frames	✓		Joystick steering controls		✓
Track guiding guards, end section	✓		Joystick implement control		✓
Hydraulic track adjuster	✓		Two-lever implement control		✓
Sprocket rims with replaceable bolt-on tough steel segments	✓		Seat belt, retractable, with buckling indicator on dash	✓	
Sprocket guards	✓		Four-point restraint ready seat	✓	
Six track rollers per side, with one carrier roller, lifetime lubricated	✓				
Idlers, conventional type, lifetime lubricated	✓				

(continued on next page)

# 953 Ship Hold Standard and Optional Equipment

## Standard and Optional Equipment *(continued)*

Standard and optional equipment may vary. Consult your Cat dealer for details.

	Standard	Optional		Standard	Optional
<b>OPERATOR ENVIRONMENT <i>(continued)</i></b>			<b>OTHER STANDARD EQUIPMENT</b>		
Air conditioning and heating	✓		Rear and front lifting device	✓	
Heater/defroster with automatic temperature control and automatic blower control	✓		Durable metal fender	✓	
Cab air powered precleaner		✓	Exterior sound suppression	✓	
Rearview mirror, inside, adjustable	✓		Load sensing implement pump with variable displacement	✓	
Radio ready. Includes speakers, antenna and 12 V power outlet and 5 V USB port	✓		Z-bar loader linkage	✓	
Radio – FM Ready Kit		✓	Implement cylinders with sensors	✓	
Radio – Bluetooth & Aux & Mic		✓	Engine enclosure with lockable doors	✓	
Radio – Bluetooth & Aux & Mic – <b>Dab+</b>		✓	Debris resistant radiator core (six fins-per-inch)	✓	
Radio – Bluetooth & Aux & Mic – <b>Sirius</b>		✓	Hinged radiator guard and swing out fan	✓	
Parking brake switch and “brake-on” indicator light	✓		4 × 2 easy tie-down points on chassis	✓	
Implement lock-out switch	✓		<b>GUARDING</b>		
High Definition rearview camera	✓		Full bottom guards	✓	
254 mm (10 in) color touchscreen display with integrated rear camera display and machine slope indicator	✓		Idler guard (none)		✓
Three selectable working modes (Auto, Power, Eco)	✓		Idler guard		✓
Operator programmable lift and tilt kickouts	✓		Idler guard – ship hold		✓
Machine Pitch and Roll indicate	✓		Front light guard		✓
Bucket shake	✓		Windshield guard		✓
Remote services (Troubleshoot/Remote Flash)		✓	Track roller guard		✓
Heavy-duty rubber floor mat	✓				
Windshield washers and wipers, multiple speed, front and rear	✓				
Durable metal roof	✓				
Coat hook	✓				
Storage compartments under left armrest	✓				
Document holder on right console	✓				

*(continued on next page)*

# 953 Ship Hold Standard and Optional Equipment

## Standard and Optional Equipment *(continued)*

Standard and optional equipment may vary. Consult your Cat dealer for details.

	Standard	Optional		Standard	Optional
<b>BUCKETS*</b>			<b>MAINTENANCE</b>		
General purpose – 1.8 m <sup>3</sup> (2.4 yd <sup>3</sup> )		✓	Standard lubricant		✓
General purpose with welded flush adaptor – 1.7 m <sup>3</sup> (2.2 yd <sup>3</sup> )		✓	Bio lubricant		✓
Heavy-duty general purpose – 1.8 m <sup>3</sup> (2.4 yd <sup>3</sup> )		✓	Cat extended life coolant	✓	
Multi-purpose - 1.6 m <sup>3</sup> (2.1 yd <sup>3</sup> )		✓	Service package		✓
General purpose with full bolted cutting edge – 1.8 m <sup>3</sup> (2.4 yd <sup>3</sup> )		✓	Extended service package – manual hydraulic system enabling cab tilt and lock at 30 degrees safely in the field, shovel holder bracket (shovel not included)	✓	
Performance general purpose – 2.1 m <sup>3</sup> (2.7 yd <sup>3</sup> )		✓	High speed oil change		✓
Wide flush general purpose – 2.2 m <sup>3</sup> (2.9 yd <sup>3</sup> )		✓	Ecology drains on hydraulic oil tank	✓	
Quick coupler, general purpose – 1.8 m <sup>3</sup> (2.4 yd <sup>3</sup> )		✓	Oil sampling valves	✓	
Note: All buckets (excluding General Purpose with full bolted cutting edge) feature Advansys Ground Engaging Tools.			Cat XT hoses	✓	
			HYDO Advanced 10	✓	
			Implement oil return filter in hydraulic tank	✓	
<b>BLADES*</b>			<b>REAR ATTACHMENTS</b>		
Trim Blade – Coal – 3150 mm (24 in)		✓	Bumper	✓	
<b>HYDRAULICS</b>			<b>FUEL TANK</b>		
Two-valve hydraulics, two-lever		✓	Fuel tank	✓	
Two-valve hydraulics, joystick		✓	Fast Fill fuel tank		✓
Three-valve hydraulics, front, joystick		✓	Fuel tank refilling pump		✓
Three-valve hydraulics, rear, joystick		✓	Sediment hand pump		✓
Three-valve hydraulics, rear, two-lever		✓	<b>OTHER EQUIPMENT</b>		
Four-valve hydraulics, front and rear, joystick		✓	Access package		✓
Standard hydraulic lines		✓	Jacket water heater (110 V)		✓
Quick coupler hydraulic lines		✓	Jacket water heater (240 V)		✓
			Fusion Quick Coupler		✓
			<b>TECHNOLOGY PRODUCTS</b>		
			Product Link ready	✓	
			Product Link cellular		✓
			Product Link dual (cellular and satellite)		✓
			Cat Payload (available early 2023)		✓

\*Buckets and other work tool attachments from the 953K model, and select buckets and work tool attachments from the 953D model, are compatible with the 953. Bucket and attachment offerings may vary. Please consult your Cat dealer for compatibility information and availability.

# 953

## Track Loader Partial Steel Mill

***Track loaders provide a rugged, agile option for steel mill and other high temperature work. Specialized features are available from the factory to equip your track loader to perform in these especially harsh conditions.***

### **High Temperature Undercarriage**

- Purpose-built undercarriage includes high temperature seals in rollers, idlers, pivot shafts and final drives.
- Steel bar welded on the bottom of the track roller frame helps prevent heat distortion.
- Duo-cone™ seal guards on the final drives.
- Optional track roller guard protects against abrasion.

### **Steel Mill Cab**

- Various heat shields inside lower doors, underneath the operator station, around air ducts and air conditioning lines.
- Heat resistant floor mat.
- Double laminated windshield 18 mm/0.7 in thick.
- Front windshield grill and thermal net against slag projections.
- Cab windows silicone sealed.
- Cab door glazing designed to protect windows against slag splatter from tracks.
- Additional metallic roof protection.
- Eight wide flood lights (four front, two rear, two sides) heat resistant, equipped with silicone sleeves.
- Metallic door handles and roof act as a heat shield.
- Air conditioning vents on both sides of operator seat post.

### **Additional Protective Features**

- Fire retardant oil.
- Heavy-duty front and rear machine guards.
- Sealed track link with no lubrication fluid.
- Double grouser or triple grouser shoes.
- Slag bucket.



### **Important Notice:**

This package DOES NOT feature all the other modifications required to allow the machine to run on hot slag. Examples: steel fuel tank, heat insulation for harnesses, hydraulic hoses, water, heater and air lines as well as heat shields for the tanks.

*Please consult with your Cat dealer regarding Steel Mill package availability.*

# 953 Track Loader – Partial Steel Mill Specifications

## Engine

Engine	Cat® C7.1	
Emissions	Meets U.S. EPA Tier 4 Final, EU Stage V, Korea Tier 5, China Nonroad Stage IV, Japan 2014 emission standards or India Bharat Stage III, Eurasian Economic Union Stage IIIA, UN ECE R96 Stage IIIA emission standards, equivalent to U.S. EPA Tier 3/ EU Stage IIIA.	
Net Power (1,800 rpm)		
ISO 9249/SAE J1349	119 kW	160 hp
ISO 9249 (DIN)	162 mhp	
Engine Power (1,800 rpm)		
ISO 14396	129 kW	173 hp
ISO 14396 (DIN)	175 mhp	
Bore	105 mm	4.1 in
Stroke	135 mm	5.3 in
Displacement	7.01 L	427.8 in <sup>3</sup>

- Net power advertised is the power available at the engine flywheel when the engine is equipped with a fan, air cleaner, clean emissions module and alternator.
- Advertised power is tested per the specified standard in effect at the time of manufacture.
- Inline six-cylinder diesel engine with single turbo, charged with ATAAC and engine mounted aftertreatment (when equipped).
- No derating required up to 3000 m (9,842 ft) altitude.
- All Cat nonroad U.S. EPA Tier 4 Final, EU Stage V, Japan 2014, Korea Tier 5, and China Nonroad Stage IV diesel engines are required to use ULSD (ultra-low sulfur diesel with 15 ppm of sulfur or less) or ULSD blended with the following lower-carbon intensity fuels up to:
  - ✓ 20% biodiesel FAME (fatty acid methyl ester)\*
  - ✓ 100% renewable diesel, HVO (hydrogenated vegetable oil) and GTL (gas-to-liquid) fuels
 Refer to guidelines for successful application. Please consult your Cat dealer or “Caterpillar Machine Fluids Recommendations” (SEBU6250) for details.  
*\*Engines with no aftertreatment devices can use higher blends, up to 30% biodiesel.*

## Air Conditioning

The air conditioning system on this machine contains the fluorinated greenhouse gas refrigerant R134a (Global Warming Potential = 1430). The system contains 1.1 kg of refrigerant which has a CO<sub>2</sub> equivalent of 1.573 metric tons.

## Drive System

Description	Electronically controlled Hydrostatic drive with two variable displacement bent axis motors and two variable displacement slipper-type axial piston pumps
Travel Speed	Infinite variable speed from 0 to 10 km/h (0 to 6.2 mph)
Relief Valve Setting	47 500 kPa 6,890 psi

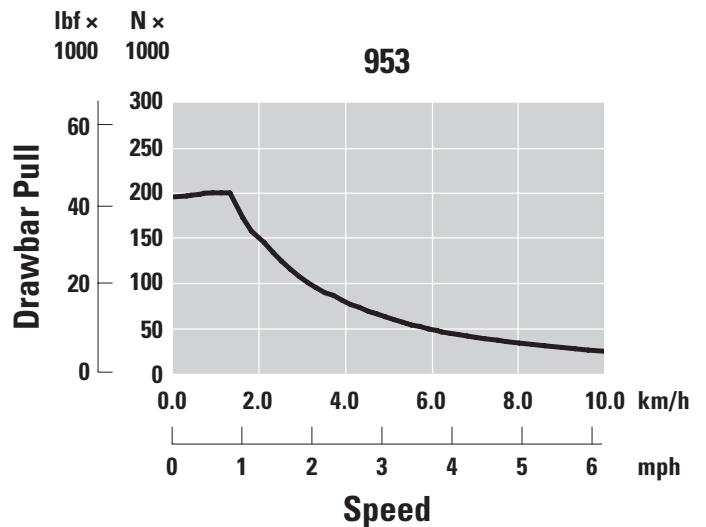
## Implement System

Description	Load sensing, variable displacement piston pump
Maximum Continuous Flow (1,800 rpm)	155 L/min 41 gal/min
Maximum Pressure	28 000 kPa 4,061 psi
Filter System	Implement return filter

## Service Refill Capacities

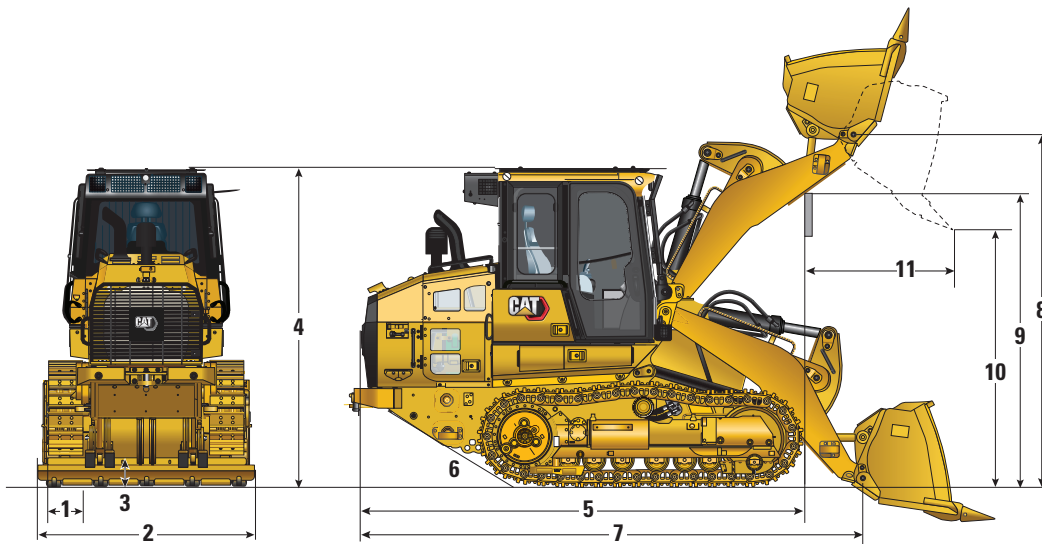
Fuel Tank	265 L	70 gal
Diesel Exhaust Fluid (DEF) Tank (when equipped)	16 L	4.2 gal
Cooling System	32 L	8.5 gal
Crankcase (with filter)	16.5 L	4.5 gal
Final Drives (each)	10.8 L	2.8 gal
Hydraulic Tank	70 L	18.5 gal
Pivot Shaft	0.7 L	0.18 gal

## Drawbar Pull



# 953 Track Loader – Partial Steel Mill Specifications

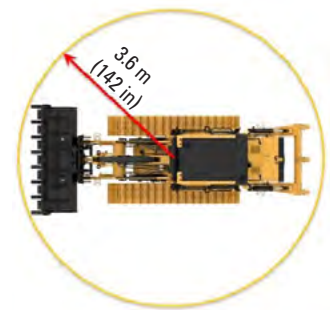
## Weights and Dimensions



Construction configuration shown.

### Partial Steel Mill

Operating Weight <sup>1</sup>	17 210 kg	37,942 lb
Shipping Weight <sup>2</sup>	13 283 kg	29,284 lb
<b>1</b> Track Shoe Width		
Double Grouser	380 mm	15.0 in
Track Rollers – Each Side		6
Number of Shoes – Each Side		37
Track on Ground	2286 mm	90.0 in
Ground Pressure		
380 mm (15 in) double grouser shoes	90 kPa	13 psi
<b>2</b> Overall Machine Width with Slag Bucket	2416 mm	95.1 in
<b>3</b> Ground Clearance	413 mm	16.3 in
<b>4</b> Machine Height to Top of Cab	3216 mm	126.6 in
<b>5</b> Machine Length to Front of Tracks	4520 mm	177.9 in
<b>6</b> Ramp Angle		29°
<b>7</b> Overall Machine Length with Slag Bucket	6602 mm	259.9 in
<b>8</b> Hinge Pin Height at Maximum Lift	3608 mm	142.1 in
<b>9</b> Lift Arm Clearance at Maximum Lift	3005 mm	118.3 in
<b>10</b> Dump Clearance at Maximum Lift and 45° Discharge	2752 mm	108.3 in
<b>11</b> Reach at Maximum Lift and 45° Discharge	1167 mm	45.9 in
Turning Radius	3.8 m	149.6 in



<sup>1</sup>Operating weight: machine with partial steel mill package, Slag bucket with teeth and segments, Heavy Duty Extended Life undercarriage, aftertreatment system, lubricants, 100% fuel tank and 75 kg (165 lb) operator. For machines without aftertreatment, subtract 287 kg (632 lb).

<sup>2</sup>Shipping weight: machine with partial steel mill package, Heavy Duty Extended Life undercarriage, aftertreatment system, lubricants, 10% fuel tank. For machines without aftertreatment, subtract 287 kg (632 lb).

# 953 Track Loader – Partial Steel Mill Specifications

## Buckets

Pin-On Buckets – Standard Linkage	Slag Bucket	
Cutting Edge Type	Long teeth and segment	
Bucket Weight	2502 kg	5,515 lb
Bucket Width	2416 mm	95.1 in
Rated Capacity at 100% Fill Factor <sup>1</sup>	1.6 m <sup>3</sup>	2.1 yd <sup>3</sup>
Rated Operating Capacity <sup>2</sup>	3344 kg	7,373 lb
Static Tipping Load <sup>3</sup>	9555 kg	21,066 lb
Breakout Force	116 605 N	26,214 lbf

<sup>1</sup>Volumetric bucket capacity as per ISO 7546:1983.

<sup>2</sup>Rated Operating Capacity should be considered with 35% Static Tipping Load as required by ISO 14397-1:2007.

<sup>3</sup>Machine equipped with standard and additional counterweights.

## Standards

### ROPS/FOPS

- ROPS (Rollover Protective Structure) offered by Caterpillar for the machine meets ROPS criteria ISO 3471:2008.
- FOPS (Falling Object Protective Structure) meets ISO 3449:2005 Level II.

### Brakes

- Brakes meet the standard ISO 10265:2008.

### Sound and Vibration Information

- The declared dynamic operator sound pressure level is 74 dB(A) when “ISO 6396:2008” is used to measure the value for an enclosed cab. The measurements were conducted at 70% of the maximum engine cooling fan speed. The sound level may vary at different engine cooling fan speeds. The cab was properly installed and maintained. The measurements were conducted with the cab doors and the cab windows closed. NOTE: The dynamic operator sound pressure level uncertainty is  $\pm 2$  dB(A).
- Hearing protection may be needed when the machine is operated with an open operator station for extended periods, in a noisy environment or with a cab that is not properly maintained.
- The guaranteed exterior sound power level is 109 dB(A) when the value is measured according to the dynamic test procedures and the conditions that are specified in “ISO 6395:2008.” The measurements were conducted at 70% of the maximum engine cooling fan speed. The sound level may vary at different engine cooling fan speeds.
- Sound level information for machines in European Union countries and in countries that adopt the “EU Directives”: If equipped, the certification label is used to verify the environmental sound certification of the machine to the requirements of the European Union. The value that is listed on the label indicates the guaranteed exterior sound power level ( $L_{WA}$ ) at the time of manufacture for the conditions that are specified in “2000/14/EC.”

# 953 Partial Steel Mill Standard and Optional Equipment

## Standard and Optional Equipment

Standard and optional equipment may vary. Consult your Cat dealer for details.

	Standard	Optional		Standard	Optional
<b>POWER TRAIN</b>			<b>ELECTRICAL</b>		
Cat C7.1 diesel engine with engine-mounted aftertreatment to meet U.S. EPA Tier 4 Final, EU Stage V, Korea Tier 5, China Nonroad Stage IV, Japan 2014 emission standards		✓	Ground Level Service Center	✓	
Cat C7.1 diesel engine to meet India Bharat Stage III, Eurasian Economic Union Stage IIIA, UN ECE R96 Stage IIIA emission standards, equivalent to Tier 3/ Stage IIIA		✓	24 volt heavy-duty alternator	✓	
Engine turbocharger	✓		Backup alarm	✓	
Air-To-Air After Cooler (ATAAC)	✓		Two horns	✓	
Modular cooling system for engine air intake, oil and water	✓		Two heavy-duty batteries, high output, maintenance free, 900 CCA	✓	
Hydraulic demand fan – electronically controlled, temperature sensing	✓		Main disconnect switch	✓	
Hydraulic fan, reversing	✓		Electric starter (heavy-duty, 24 volt)	✓	
Electro Hydrostatic Control (EHC) for transmission	✓		LED flashing beacon		✓
Engine idle shutdown	✓		<b>OPERATOR ENVIRONMENT</b>		
Auto engine speed control	✓		Steel mill cab – pressurized, sound suppressed, ROPS/FOPS cab, with silicone sealed glass and heavy-duty laminated windshield glass	✓	
Electric fuel pump	✓		Deluxe high back seat – heated, with adjustable shock control		✓
Water separator	✓		Premium Plus high back seat – heated and cooled, lockable side-side isolator		✓
Glow plug starting aid	✓		Adjustable armrests	✓	
Engine air cleaner		✓	Electro Hydraulic, seat mounted control levers with faster processing	✓	
Engine air precleaner	✓		V-pattern and pedal steering controls		✓
<b>UNDERCARRIAGE</b>			Joystick steering controls		✓
Heavy duty and Sealed tracks (no lubrication) 380 mm (15 in) double grouser shoes		✓	Joystick implement control		✓
Oscillating track roller frames	✓		Two-lever implement control		✓
Track guiding guards, end section	✓		Seat belt, retractable, with buckling indicator on dash	✓	
Hydraulic track adjuster	✓		Four-point restraint ready seat	✓	
Sprocket rims with replaceable bolt-on tough steel segments	✓		Air conditioning and heating	✓	
Sprocket guards	✓				
Six track rollers per side, with one carrier roller, lifetime lubricated	✓				
Idlers, conventional type, lifetime lubricated	✓				

(continued on next page)

# 953 Partial Steel Mill Standard and Optional Equipment

## Standard and Optional Equipment *(continued)*

Standard and optional equipment may vary. Consult your Cat dealer for details.

	Standard	Optional		Standard	Optional
<b>OPERATOR ENVIRONMENT <i>(continued)</i></b>			<b>OTHER STANDARD EQUIPMENT</b>		
Heater/defroster with automatic temperature control and automatic blower control	✓		Durable metal fender	✓	
Rearview mirror, inside, adjustable	✓		Exterior sound suppression	✓	
Radio ready. Includes speakers, antenna and 24 V power outlet and 5 V USB port	✓		Load sensing implement pump with variable displacement	✓	
Radio – FM Ready Kit		✓	Z-bar loader linkage	✓	
Radio – Bluetooth & Aux & Mic		✓	Implement cylinders with sensors	✓	
Parking brake switch and “brake-on” indicator light	✓		Engine enclosure with lockable doors	✓	
Implement lock-out switch	✓		Debris resistant radiator core (six fins-per-inch)	✓	
High Definition rearview camera	✓		Hinged radiator guard and swing out fan	✓	
254 mm (10 in) color touchscreen display with integrated rear camera display and machine slope indicator	✓		4 × 2 easy tie-down points on chassis	✓	
Three selectable working modes (Auto, Power, Eco)	✓		<b>GUARDING</b>		
Operator programmable lift and tilt kickouts	✓		Windshield guard with metallic screen	✓	
Machine Pitch and Roll indicate	✓		Full bottom guards	✓	
Bucket shake	✓		Idler guard		✓
Remote services (Troubleshoot/Remote Flash)		✓	Front light guard		✓
Heavy-duty rubber floor mat	✓		Track roller guard		✓
Windshield washers and silicone wipers, multiple speed, front and rear	✓				
Durable metal roof	✓				
Coat hook	✓				
Storage compartments under left armrest	✓				
Document holder on right console	✓				

*(continued on next page)*

# 953 Partial Steel Mill Standard and Optional Equipment

## Standard and Optional Equipment *(continued)*

Standard and optional equipment may vary. Consult your Cat dealer for details.

	Standard	Optional		Standard	Optional
<b>BUCKETS*</b>			<b>REAR ATTACHMENTS</b>		
Slag bucket – 1.6 m <sup>3</sup> (2.1 yd <sup>3</sup> )		✓	Bumper		✓
<b>HYDRAULICS</b>			Striker bars		✓
Two-valve hydraulics, two-lever		✓	<b>FUEL TANK</b>		
Two-valve hydraulics, joystick		✓	Fuel tank	✓	
Standard hydraulic lines	✓		Fast Fill fuel tank		✓
<b>MAINTENANCE</b>			Sediment hand pump		✓
Standard lubricant		✓	<b>OTHER EQUIPMENT</b>		
Bio lubricant		✓	Access package		✓
Ecosafe lubricant (steel mill)	✓		<b>TECHNOLOGY PRODUCTS</b>		
Cat extended life coolant	✓		Product Link ready	✓	
Extended service package – manual hydraulic system enabling cab tilt and lock at 30 degrees safely in the field, shovel holder bracket (shovel not included)	✓		Product Link cellular		✓
High speed oil change		✓	Product Link dual (cellular and satellite)		✓
Ecology drains on hydraulic oil tank	✓		Cat Payload (available early 2023)		✓
Oil sampling valves	✓		<b>COUNTERWEIGHTS</b>		
Cat XT hoses	✓		Light counterweight 240 kg (529 lb)		✓
Ecosafe hydraulic oil	✓		Light counterweight, additional 200 kg (440 lb)		✓
Implement oil return filter in hydraulic tank	✓				

\*Buckets and other work tool attachments from the 953K model, and select buckets and work tool attachments from the 953D model, are compatible with the 953. Bucket and attachment offerings may vary. Please consult your Cat dealer for compatibility information and availability.



オフロード法少数特例  
2014年基準同等適合車

For more complete information on Cat products, dealer services, and industry solutions, visit us on the web at [www.cat.com](http://www.cat.com)

© 2022 Caterpillar  
All rights reserved

Materials and specifications are subject to change without notice. Featured machines in photos may include additional equipment. See your Cat dealer for available options.

CAT, CATERPILLAR, LET'S DO THE WORK, their respective logos, "Caterpillar Corporate Yellow," the "Power Edge" and Cat "Modern Hex" trade dress as well as corporate and product identity used herein, are trademarks of Caterpillar and may not be used without permission. VisionLink is a trademark of Caterpillar Inc., registered in the United States and in other countries.

Based on the Labor, Safety and Health Laws in Japan, employer of small construction equipment are required to provide specific training for all operators on machines with machine weight less than 3 metric ton. For machines greater than 3 metric ton, operator needs to obtain operator license certification from a Government approved registered training school.

AEXQ3139-01 (07-2022)  
Replaces AEXQ3139-00  
Build Number: 12A  
(Afr-ME, Asia Pacific, Aus-NZ,  
China, Eurasia, Europe, Jpn,  
Korea, N Am, S Am excluding  
Brazil, SE Asia, Turkey)

